



Momo Handles
Contemporary Collection

Contact Details

Phone: 1300 123 700

Fax: 1300 123 750

Email: info@furnwardorset.com.au

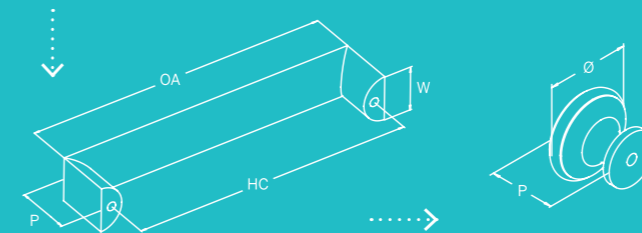
www.furnwardorset.com.au



Momo Handles Contemporary Collection

Square D Handles	2-26
Round D Handles	27-39
Bow Handles	40-59
Pull Handles	60-69
Profile Handles	70-77
Flush Pulls	78-79
Knobs	80-84
Ripple Collection	85-87
Glass Collection	88
Crystal Collection	89-90
Amber Collection	91
Enamel Collection	92-96
Leather Collection	97-102
Index	103-110

Key to Symbols



HC = Hole centre OA = Overall length W = Width P = Projection Ø = Diameter



Welcome to Furnware Dorset's Contemporary collection of Momo Handles

The Momo Handle range, distributed exclusively by Furnware Dorset, showcases a comprehensive and stunning range of cabinet handles created by experienced international designers.

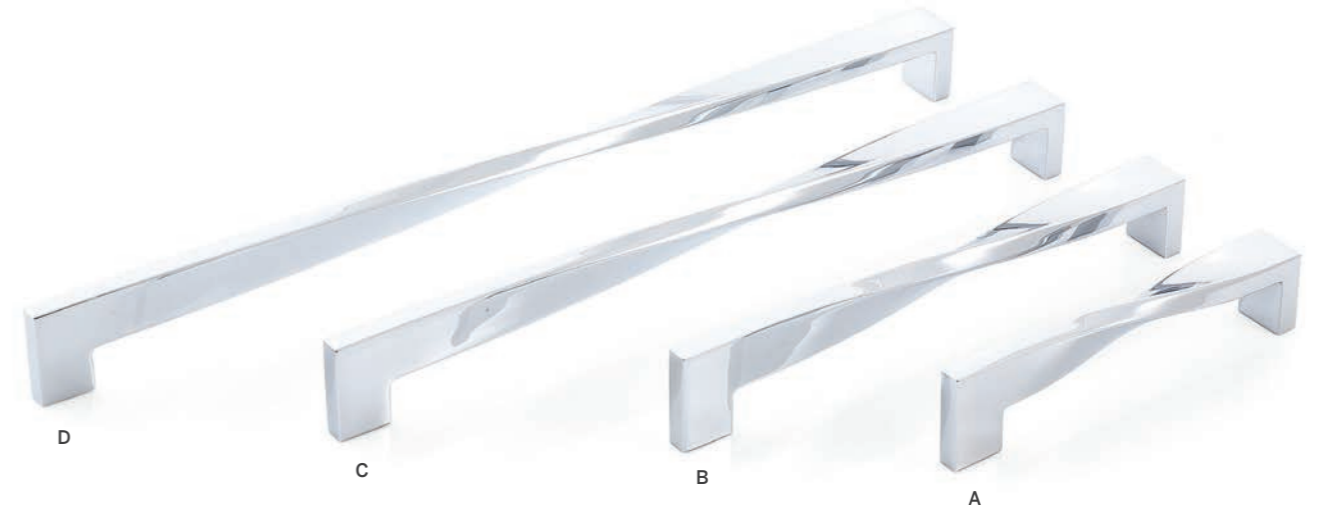
Encompassing a wide range of styles from timeless classical to sleek modern, Momo Handles has something to satisfy every taste.

For more information or to place an order, call 1300 123 700 or visit us at www.furnwardorset.com.au



Denver handles pictured - see page 13

MOMO
HANDLES



Sydney

- Material: Zinc Alloy

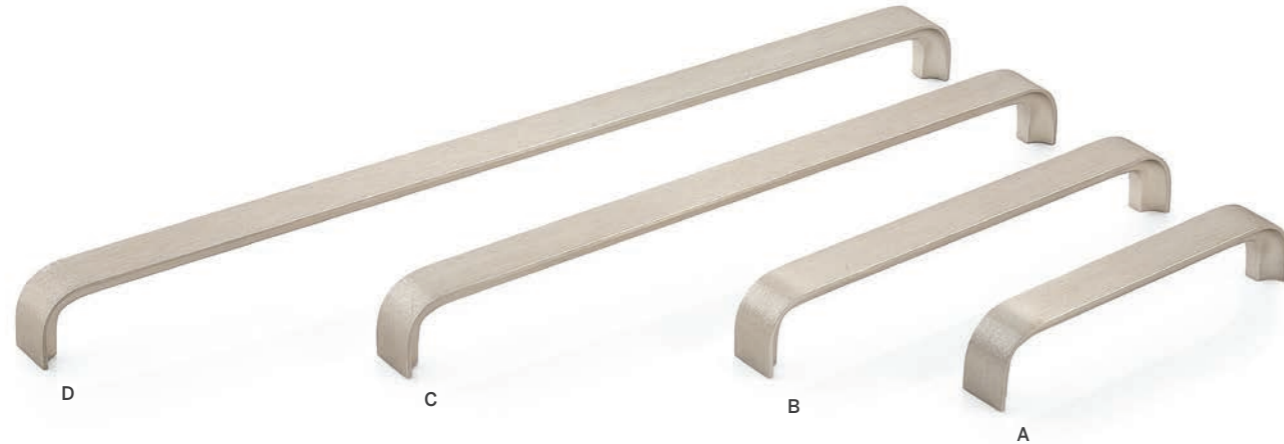
	Part No.	Finish	HC	OA	W	P
A	K118.128.CP	Chrome Plated	128	141	20	36
B	K118.192.CP	Chrome Plated	192	205	20	36
C	K118.280.CP	Chrome Plated	280	293	20	36
D	K118.352.CP	Chrome Plated	352	365	20	36

HC = Hole centre OA = Overall length W = Width P = Projection

© Copyright 2015 All Rights Reserved. Specifications subject to change without notice.

© Copyright 2015 All Rights Reserved. Specifications subject to change without notice.

MOMO HANDLES



Kempton

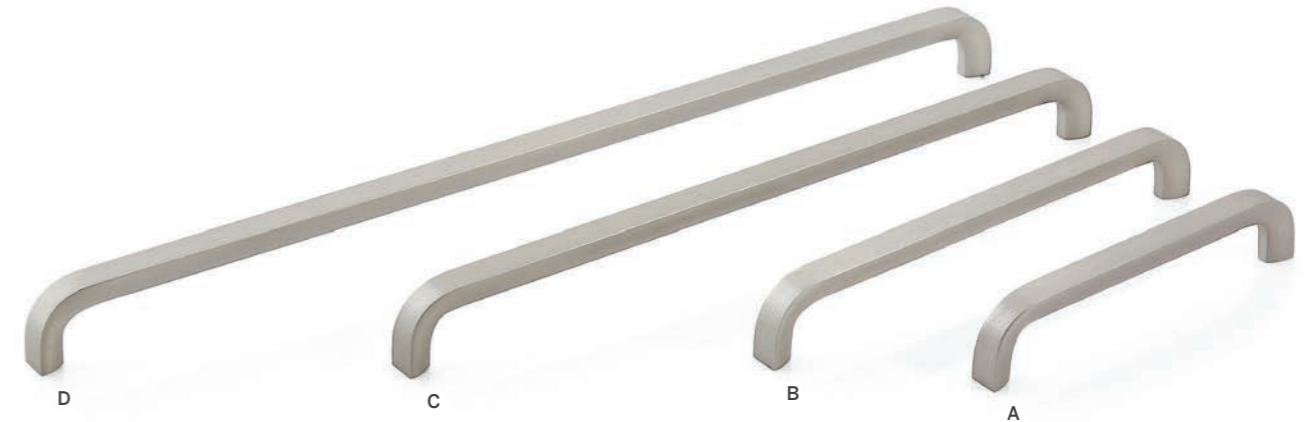
- Material: Aluminium

	Part No.	Finish	HC	OA	W	P
A	K250.160.ABN	Aluminium Brushed Nickel	160	170	24	37
B	K250.224.ABN	Aluminium Brushed Nickel	224	234	24	37
C	K250.352.ABN	Aluminium Brushed Nickel	352	362	24	37
D	K250.480.ABN	Aluminium Brushed Nickel	480	490	24	37

HC = Hole centre OA = Overall length W = Width P = Projection

© Copyright 2015 All Rights Reserved. Specifications subject to change without notice.

MOMO HANDLES



Trento

- Material: Aluminium

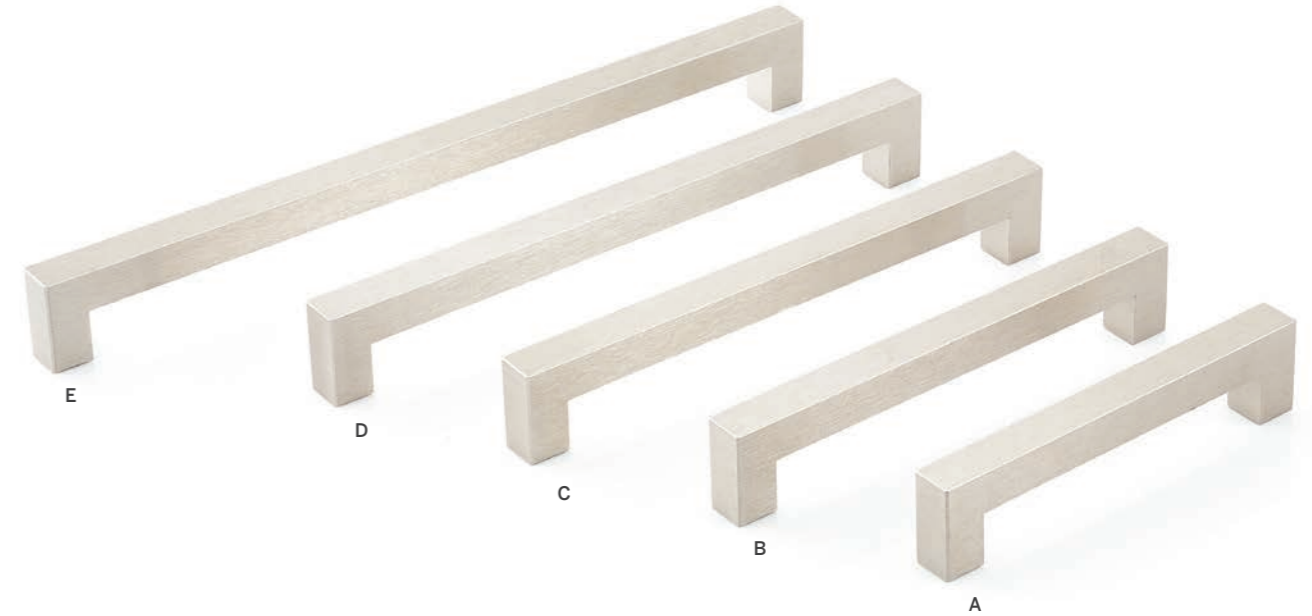
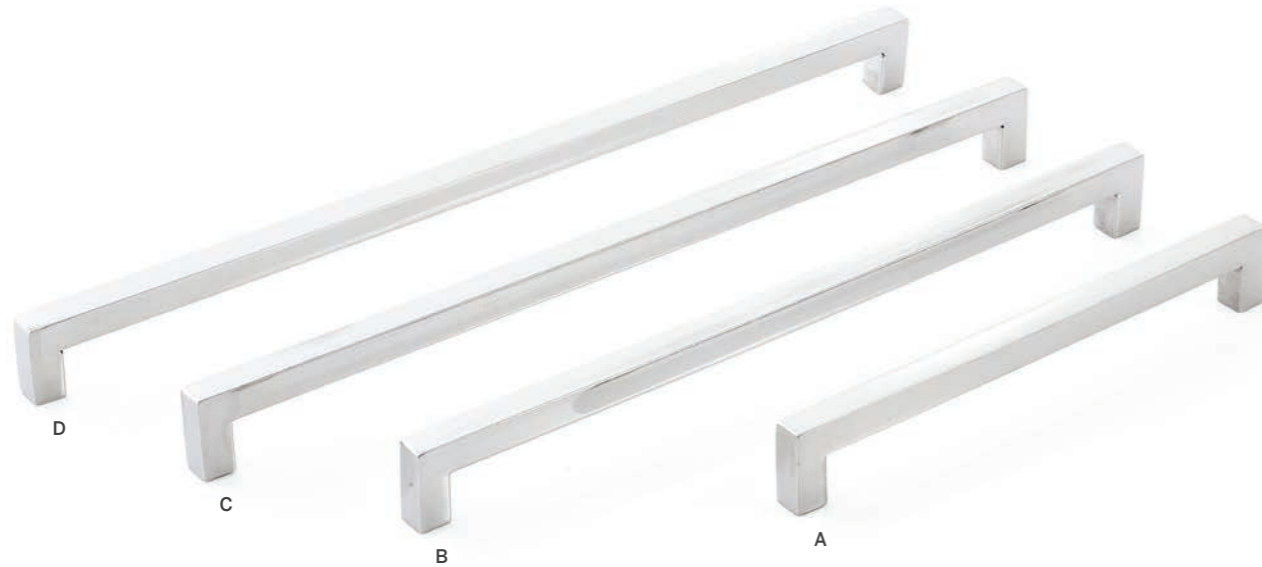
	Part No.	Finish	HC	OA	W	P
A	K230.160.ABN	Aluminium Brushed Nickel	160	172	14	35
B	K230.224.ABN	Aluminium Brushed Nickel	224	236	14	35
C	K230.352.ABN	Aluminium Brushed Nickel	352	364	14	35
D	K230.480.ABN	Aluminium Brushed Nickel	480	492	14	35

HC = Hole centre OA = Overall length W = Width P = Projection

© Copyright 2015 All Rights Reserved. Specifications subject to change without notice.

MOMO HANDLES

MOMO HANDLES



Genova

- Material: Stainless Steel

Part No.	Finish	HC	OA	W	P
A K175.188.PSS	Polished Stainless Steel	188	199	12	30
B K175.288.PSS	Polished Stainless Steel	288	299	12	30
C K175.328.PSS	Polished Stainless Steel	328	339	12	30

Part No.	Finish	HC	OA	W	P
D K175.352.PSS	Polished Stainless Steel	352	363	12	30
♦ K175.428.PSS	Polished Stainless Steel	428	439	12	30
♦ K175.528.PSS	Polished Stainless Steel	528	539	12	30

♦ Not Pictured HC = Hole centre OA = Overall length W = Width P = Projection

© Copyright 2015 All Rights Reserved. Specifications subject to change without notice.

© Copyright 2015 All Rights Reserved. Specifications subject to change without notice.

Salerno

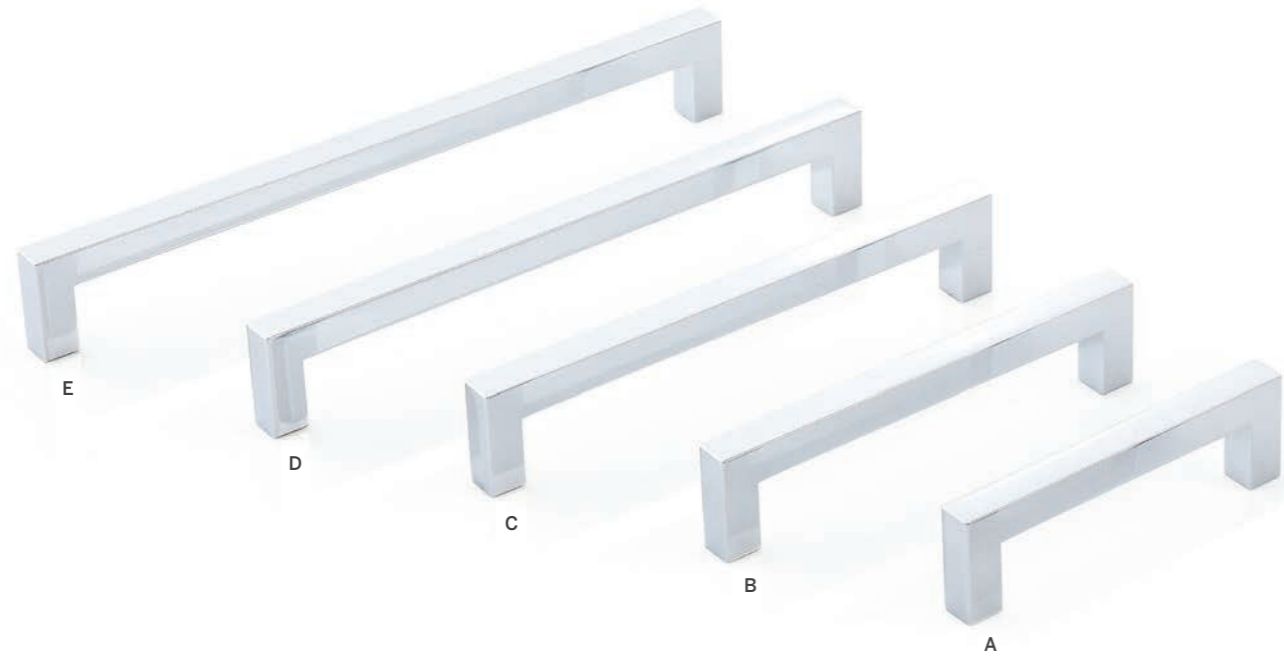
- Material: Aluminium

Part No.	Finish	HC	OA	W	P
A K3203.128.ABN	Aluminium Brushed Nickel	128	142	15	33
B K3203.160.ABN	Aluminium Brushed Nickel	160	174	15	33
C K3203.192.ABN	Aluminium Brushed Nickel	192	206	15	33
D K3203.224.ABN	Aluminium Brushed Nickel	224	238	15	33
E K3203.288.ABN	Aluminium Brushed Nickel	288	302	15	33

Part No.	Finish	HC	OA	W	P
♦ K3203.320.ABN	Aluminium Brushed Nickel	320	334	15	33
♦ K3203.352.ABN	Aluminium Brushed Nickel	352	366	15	33
♦ K3203.480.ABN	Aluminium Brushed Nickel	480	495	15	33
♦ K3203.736.ABN	Aluminium Brushed Nickel	736	750	15	33

♦ Not Pictured HC = Hole centre OA = Overall length W = Width P = Projection

MOMO HANDLES



Sevilla - Chrome Plated

- Material: Aluminium

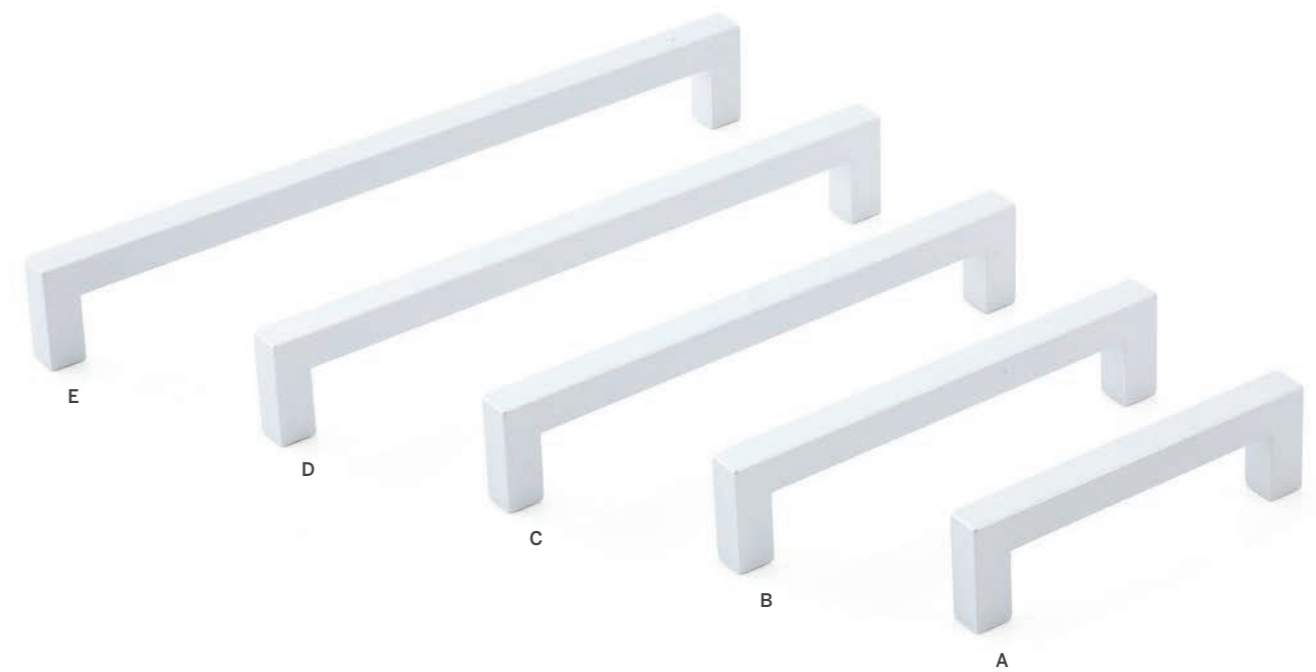
	Part No.	Finish	HC	OA	W	P
A	K3201.96.CP	Chrome Plated	96	107	11	32
B	K3201.128.CP	Chrome Plated	128	139	11	32
C	K3201.160.CP	Chrome Plated	160	171	11	32
D	K3201.192.CP	Chrome Plated	192	203	11	32
E	K3201.224.CP	Chrome Plated	224	235	11	32

• Not Pictured HC = Hole centre OA = Overall length W = Width P = Projection

	Part No.	Finish	HC	OA	W	P
•	K3201.256.CP	Chrome Plated	256	267	11	32
•	K3201.288.CP	Chrome Plated	288	299	11	32
•	K3201.320.CP	Chrome Plated	320	331	11	32
•	K3201.416.CP	Chrome Plated	416	427	11	32

© Copyright 2015 All Rights Reserved. Specifications subject to change without notice.

MOMO HANDLES



Sevilla - Aluminium

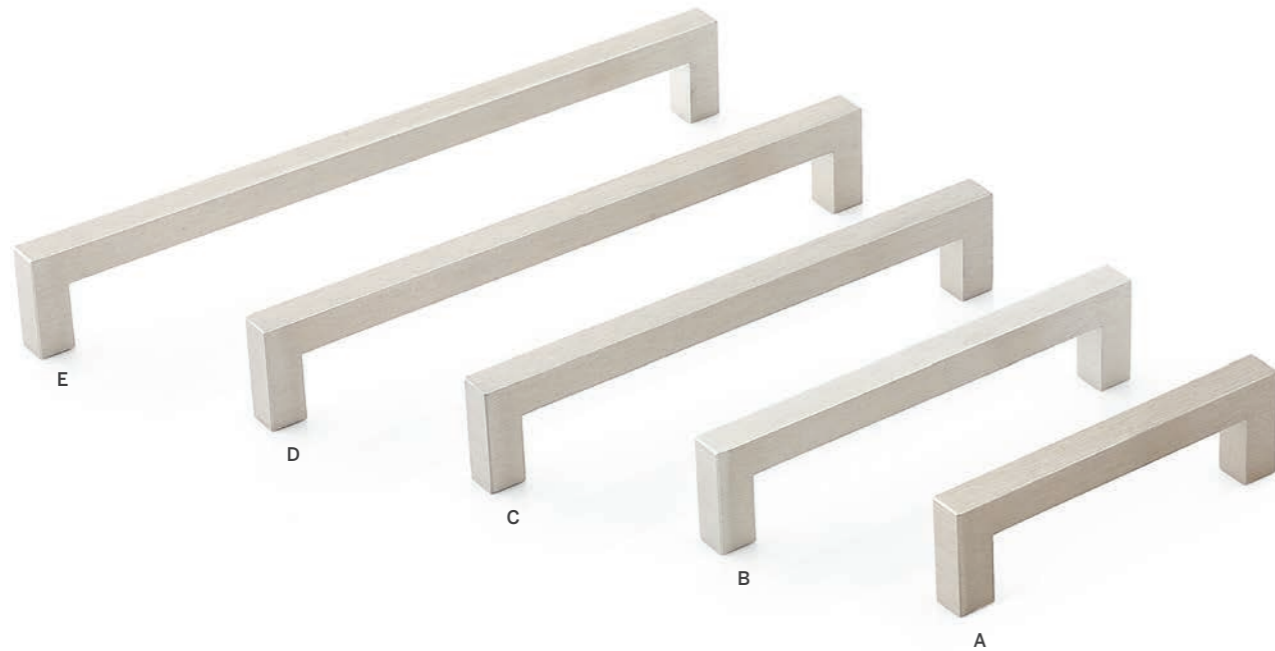
- Material: Aluminium

	Part No.	Finish	HC	OA	W	P
A	K3201.96.ALU	Aluminium	96	107	11	32
B	K3201.128.ALU	Aluminium	128	139	11	32
C	K3201.160.ALU	Aluminium	160	171	11	32
D	K3201.192.ALU	Aluminium	192	203	11	32
E	K3201.224.ALU	Aluminium	224	235	11	32

• Not Pictured HC = Hole centre OA = Overall length W = Width P = Projection

© Copyright 2015 All Rights Reserved. Specifications subject to change without notice.

MOMO HANDLES



Sevilla - Aluminium Brushed Nickel

- Material: Aluminium

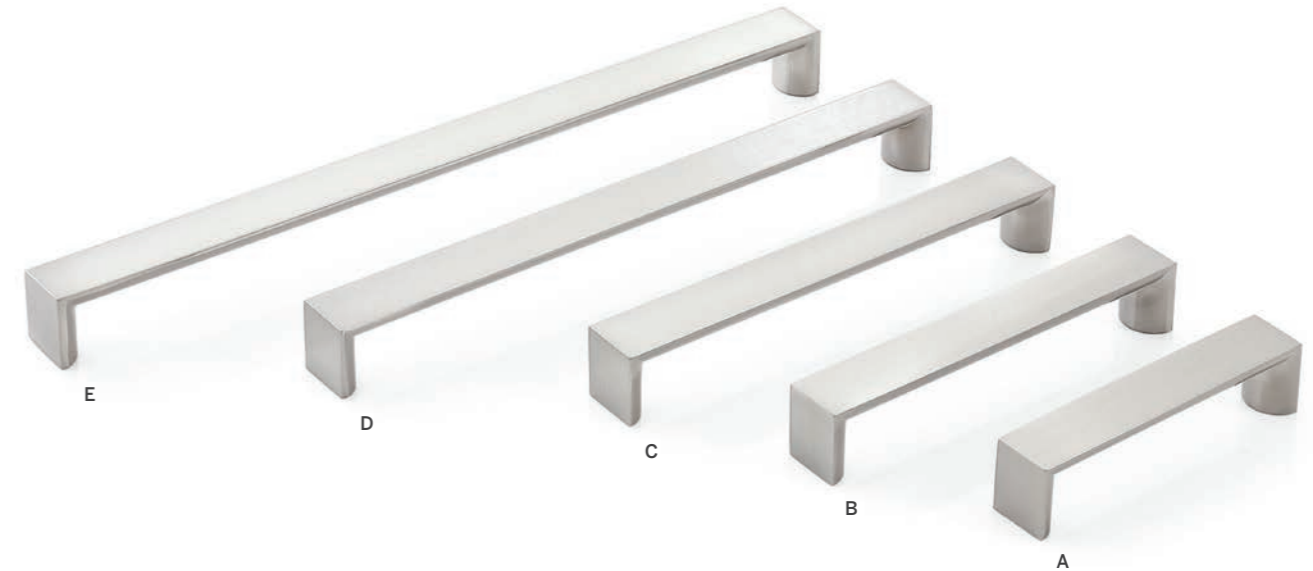
Part No.	Finish	HC	OA	W	P
A	K3201.96.ABN Aluminium Brushed Nickel	96	107	11	32
B	K3201.128.ABN Aluminium Brushed Nickel	128	139	11	32
C	K3201.160.ABN Aluminium Brushed Nickel	160	171	11	32
D	K3201.192.ABN Aluminium Brushed Nickel	192	203	11	32
E	K3201.224.ABN Aluminium Brushed Nickel	224	235	11	32

• Not Pictured HC = Hole centre OA = Overall length W = Width P = Projection

Part No.	Finish	HC	OA	W	P
♦ K3201.256.ABN	Aluminium Brushed Nickel	256	267	11	32
♦ K3201.288.ABN	Aluminium Brushed Nickel	288	299	11	32
♦ K3201.320.ABN	Aluminium Brushed Nickel	320	331	11	32
♦ K3201.416.ABN	Aluminium Brushed Nickel	416	427	11	32

© Copyright 2015 All Rights Reserved. Specifications subject to change without notice.

MOMO HANDLES



Boston

- Material: Zinc Alloy

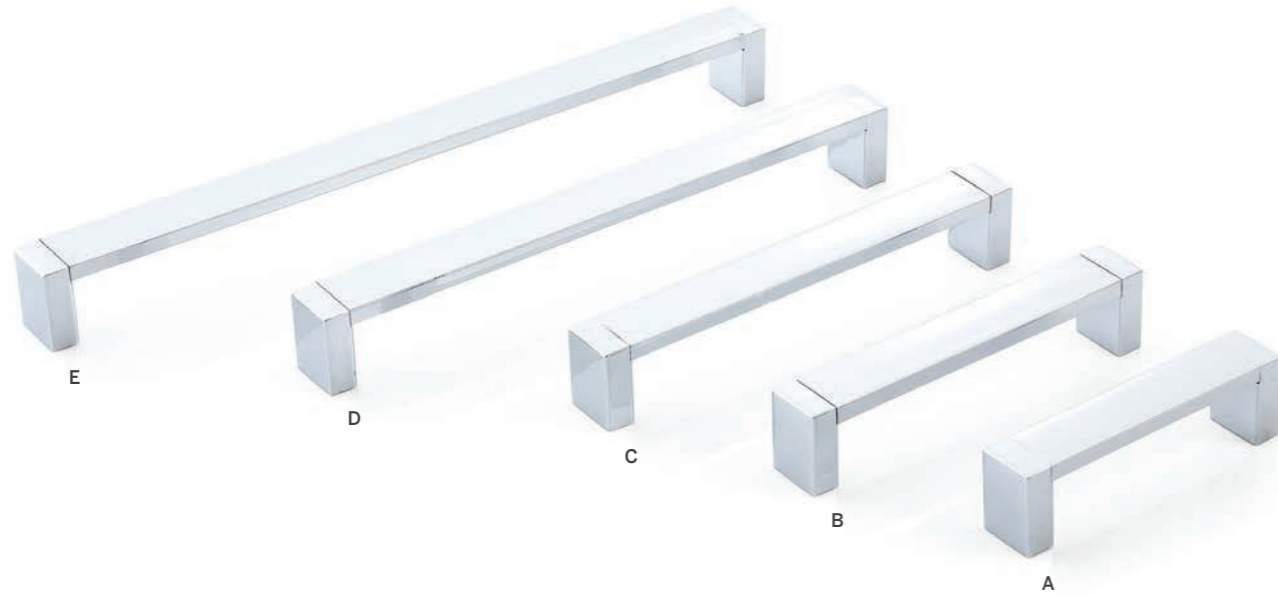
Part No.	Finish	HC	OA	W	P
A	WFDH96.DBR Dull Brushed Nickel	96	104	21	26
B	WFDH128.DBR Dull Brushed Nickel	128	138	21	26
C	WFDH160.DBR Dull Brushed Nickel	160	169	21	26

HC = Hole centre OA = Overall length W = Width P = Projection

Part No.	Finish	HC	OA	W	P
D	WFDH224.DBR Dull Brushed Nickel	224	233	21	26
E	WFDH288.DBR Dull Brushed Nickel	288	297	21	26

© Copyright 2015 All Rights Reserved. Specifications subject to change without notice.

MOMO HANDLES



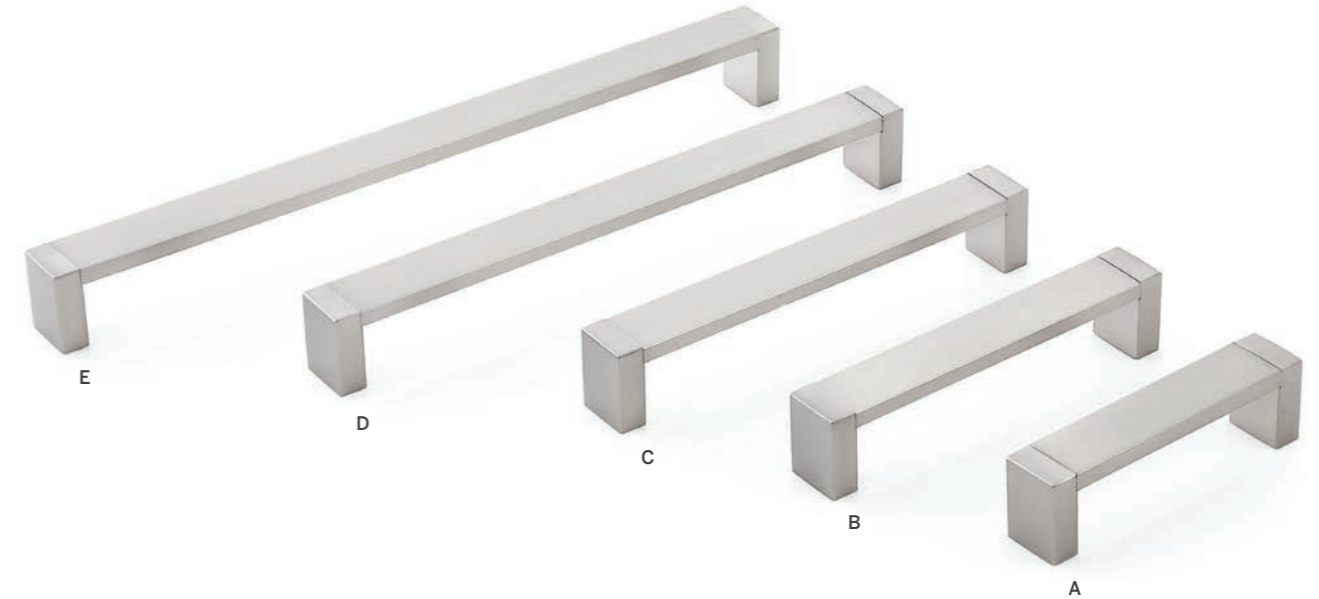
Denver - Chrome Plated

- Material: Zinc Alloy

Part No.	Finish	HC	OA	W	P	Part No.	Finish	HC	OA	W	P		
A	M35.96.CP	Chrome Plated	96	107	22	30	E	M35.288.CP	Chrome Plated	288	299	22	30
B	M35.128.CP	Chrome Plated	128	139	22	30	♦	M35.352.CP	Chrome Plated	352	363	22	30
C	M35.160.CP	Chrome Plated	160	171	22	30	♦	M35.416.CP	Chrome Plated	416	427	22	30
D	M35.224.CP	Chrome Plated	224	235	22	30	♦	M35.544.CP	Chrome Plated	544	555	22	30

♦ Not Pictured HC = Hole centre OA = Overall length W = Width P = Projection

MOMO HANDLES



Denver - Dull Brushed Nickel

- Material: Zinc Alloy

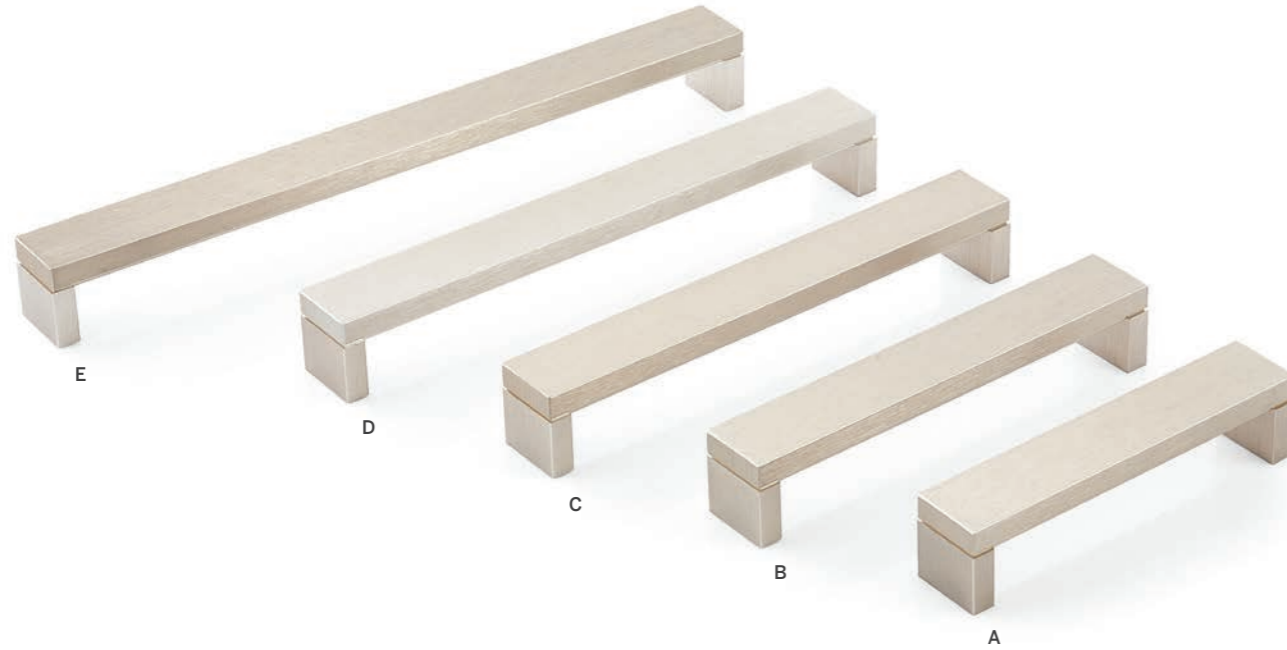
Part No.	Finish	HC	OA	W	P	Part No.	Finish	HC	OA	W	P		
A	M35.96.DBR	Dull Brushed Nickel	96	107	22	30	E	M35.288.DBR	Dull Brushed Nickel	288	299	22	30
B	M35.128.DBR	Dull Brushed Nickel	128	139	22	30	♦	M35.352.DBR	Dull Brushed Nickel	352	363	22	30
C	M35.160.DBR	Dull Brushed Nickel	160	171	22	30	♦	M35.416.DBR	Dull Brushed Nickel	416	427	22	30
D	M35.224.DBR	Dull Brushed Nickel	224	235	22	30	♦	M35.544.DBR	Dull Brushed Nickel	544	555	22	30

♦ Not Pictured HC = Hole centre OA = Overall length W = Width P = Projection

© Copyright 2015 All Rights Reserved. Specifications subject to change without notice.

© Copyright 2015 All Rights Reserved. Specifications subject to change without notice.

MOMO HANDLES



Pelermo

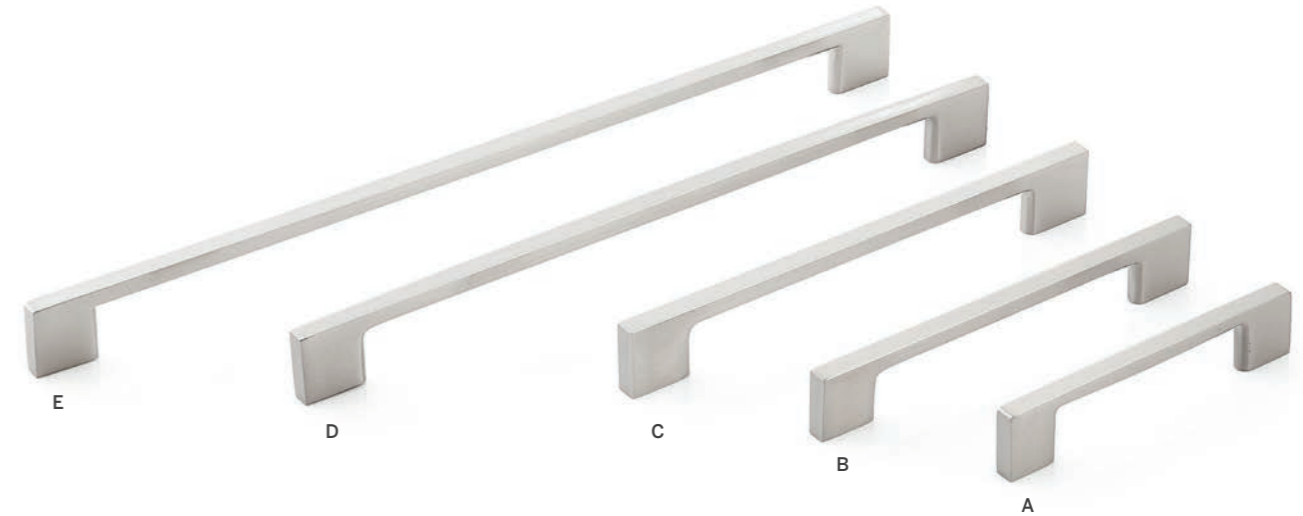
- Material: Aluminium

Part No.	Finish	HC	OA	W	P	Part No.	Finish	HC	OA	W	P		
A	K721.128.ABN	Aluminium Brushed Nickel	128	136	28	32	E	K721.352.ABN	Aluminium Brushed Nickel	352	360	28	32
B	K721.160.ABN	Aluminium Brushed Nickel	160	168	28	32	♦	K721.480.ABN	Aluminium Brushed Nickel	480	488	28	32
C	K721.224.ABN	Aluminium Brushed Nickel	224	232	28	32	♦	K721.608.ABN	Aluminium Brushed Nickel	608	616	28	32
D	K721.288.ABN	Aluminium Brushed Nickel	288	296	28	32	♦	K721.736.ABN	Aluminium Brushed Nickel	736	744	28	32

♦ Not Pictured HC = Hole centre OA = Overall length W = Width P = Projection

© Copyright 2015 All Rights Reserved. Specifications subject to change without notice.

MOMO HANDLES



Livorno - Dull Brushed Nickel

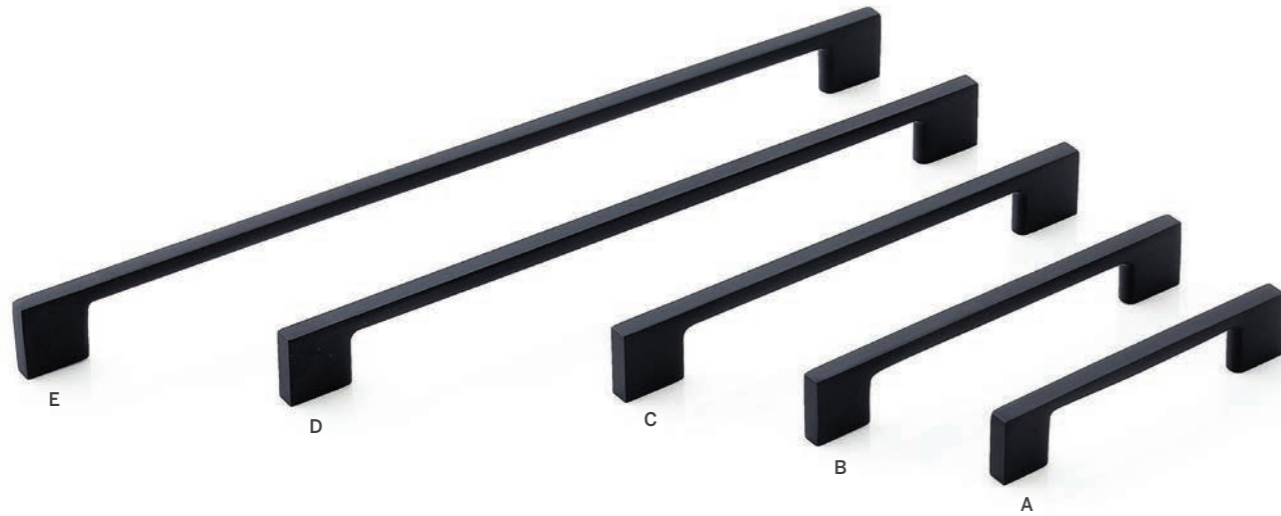
- Material: Zinc Alloy

Part No.	Finish	HC	OA	W	P	Part No.	Finish	HC	OA	W	P		
A	M3163.96.DBR	Dull Brushed Nickel	96	120	8	26	D	M3163.192.DBR	Dull Brushed Nickel	192	224	8	26
B	M3163.128.DBR	Dull Brushed Nickel	128	156	8	26	E	M3163.256.DBR	Dull Brushed Nickel	256	288	8	26
C	M3163.160.DBR	Dull Brushed Nickel	160	192	8	26	♦	M3163.320.DBR	Dull Brushed Nickel	320	352	8	26

♦ Not Pictured HC = Hole centre OA = Overall length W = Width P = Projection

© Copyright 2015 All Rights Reserved. Specifications subject to change without notice.

MOMO HANDLES



Livorno - Matt Black

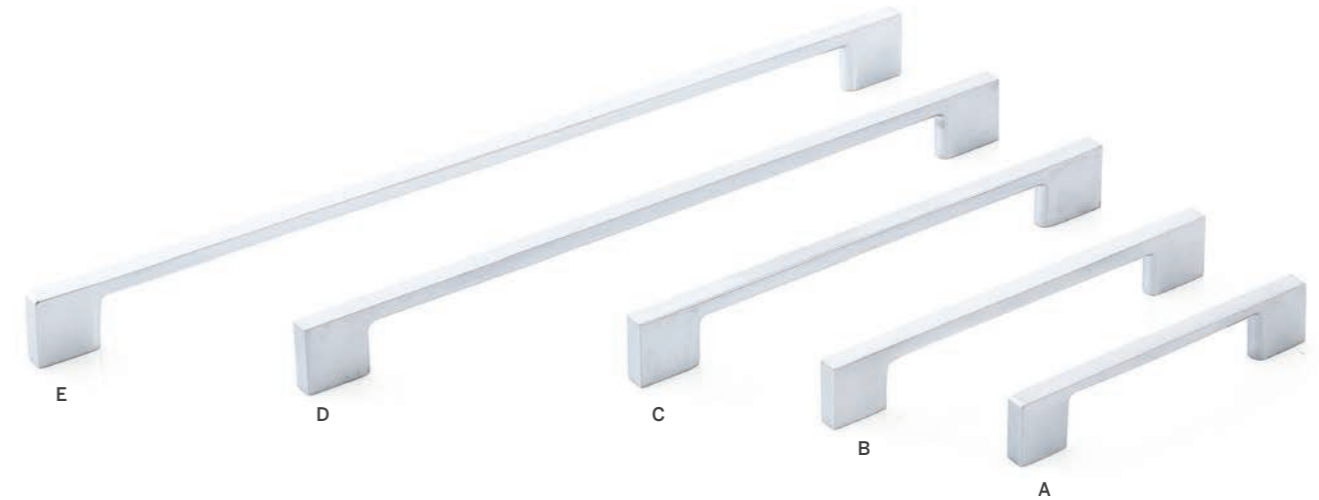
- Material: Zinc Alloy

Part No.	Finish	HC	OA	W	P
A M3163.96.BL	Matt Black	96	120	8	26
B M3163.128.BL	Matt Black	128	156	8	26
C M3163.160.BL	Matt Black	160	192	8	26

Part No.	Finish	HC	OA	W	P
D M3163.192.BL	Matt Black	192	224	8	26
E M3163.256.BL	Matt Black	256	288	8	26
♦ M3163.320.BL	Matt Black	320	352	8	26

♦ Not Pictured HC = Hole centre OA = Overall length W = Width P = Projection

MOMO HANDLES



Livorno - Satin Chrome

- Material: Zinc Alloy

Part No.	Finish	HC	OA	W	P
A M3163.96.SC	Satin Chrome	96	120	8	26
B M3163.128.SC	Satin Chrome	128	156	8	26
C M3163.160.SC	Satin Chrome	160	192	8	26

Part No.	Finish	HC	OA	W	P
D M3163.192.SC	Satin Chrome	192	224	8	26
E M3163.256.SC	Satin Chrome	256	288	8	26
♦ M3163.320.SC	Satin Chrome	320	352	8	26

♦ Not Pictured HC = Hole centre OA = Overall length W = Width P = Projection

MOMO
HANDLES



MOMO
HANDLES



Torino - Chrome Plated

- Material: Zinc Alloy

	Part No.	Finish	HC	OA	W	P
A	M1755.128.CP	Chrome Plated	128	142	7	35
B	M1755.160.CP	Chrome Plated	160	174	7	35
C	M1755.224.CP	Chrome Plated	224	238	7	35

HC = Hole centre OA = Overall length W = Width P = Projection

© Copyright 2015 All Rights Reserved. Specifications subject to change without notice.

Torino - Brushed Nickel

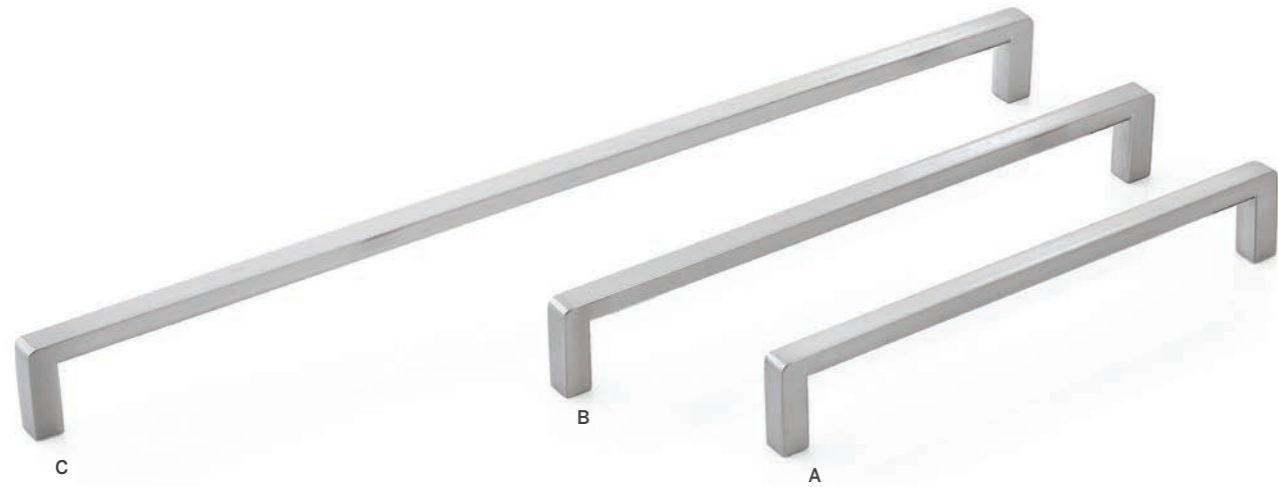
- Material: Zinc Alloy

	Part No.	Finish	HC	OA	W	P
A	M1755.128.BRN	Brushed Nickel	128	142	7	35
B	M1755.160.BRN	Brushed Nickel	160	174	7	35
C	M1755.224.BRN	Brushed Nickel	224	238	7	35

HC = Hole centre OA = Overall length W = Width P = Projection

© Copyright 2015 All Rights Reserved. Specifications subject to change without notice.

MOMO HANDLES



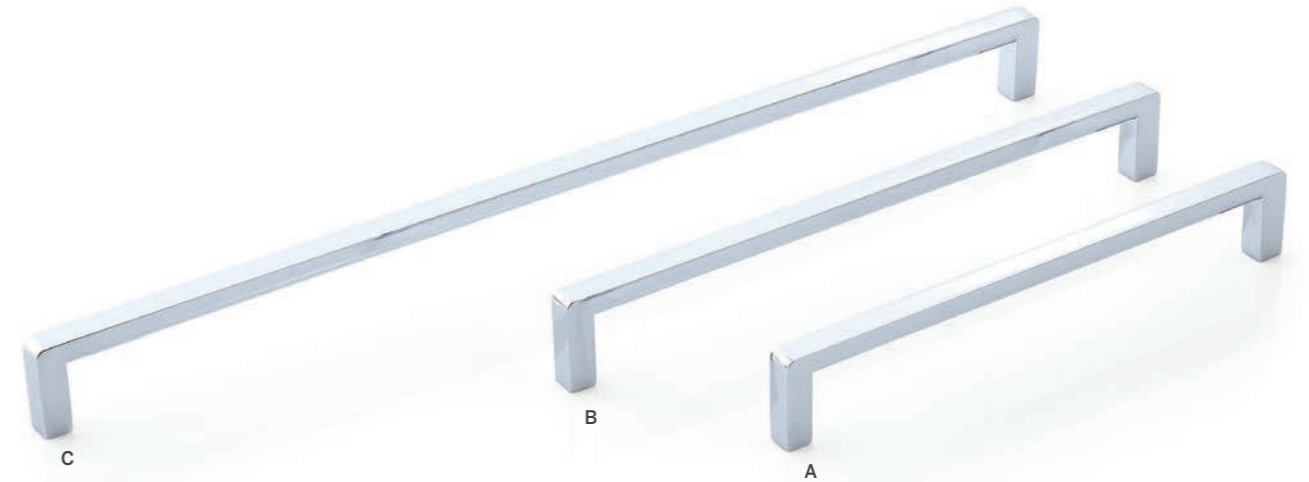
Milano - Brushed Nickel

- Material: Zinc Alloy

Part No.	Finish	HC	OA	W	P
• M1295.128.BRN	Brushed Nickel	128	136	8	28
A M1295.160.BRN	Brushed Nickel	160	168	8	28
B M1295.192.BRN	Brushed Nickel	192	200	8	28
C M1295.320.BRN	Brushed Nickel	320	328	8	28

• Not Pictured HC = Hole centre OA = Overall length W = Width P = Projection

MOMO HANDLES



Milano - Chrome Plated

- Material: Zinc Alloy

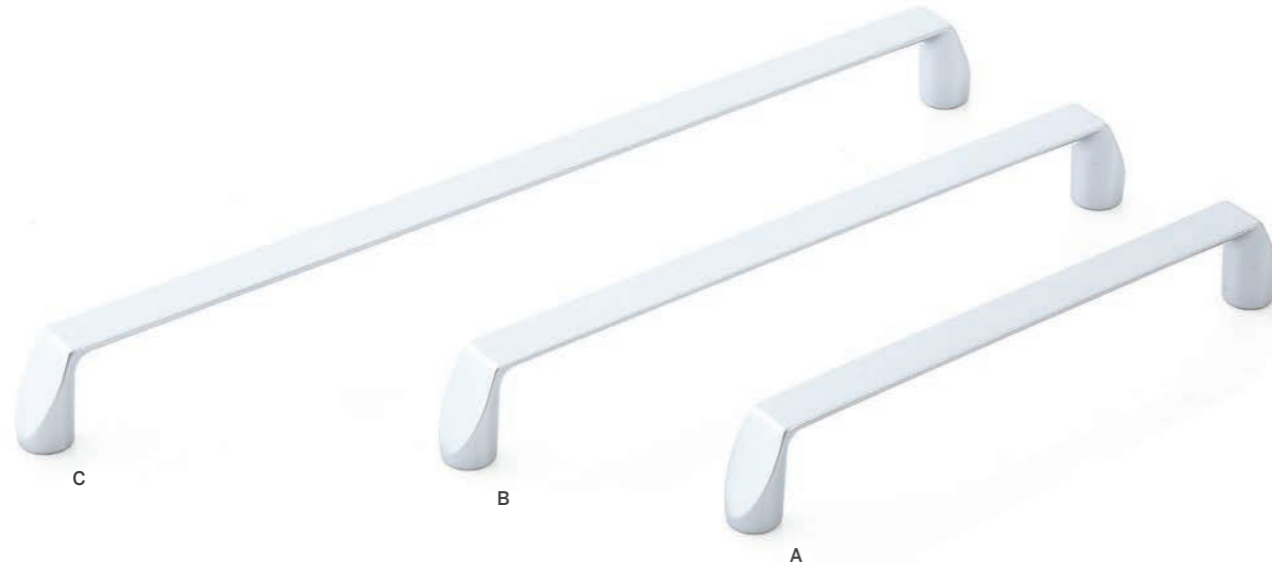
Part No.	Finish	HC	OA	W	P
• M1295.128.CP	Chrome Plated	128	136	8	28
A M1295.160.CP	Chrome Plated	160	168	8	28
B M1295.192.CP	Chrome Plated	192	200	8	28
C M1295.320.CP	Chrome Plated	320	328	8	28

• Not Pictured HC = Hole centre OA = Overall length W = Width P = Projection

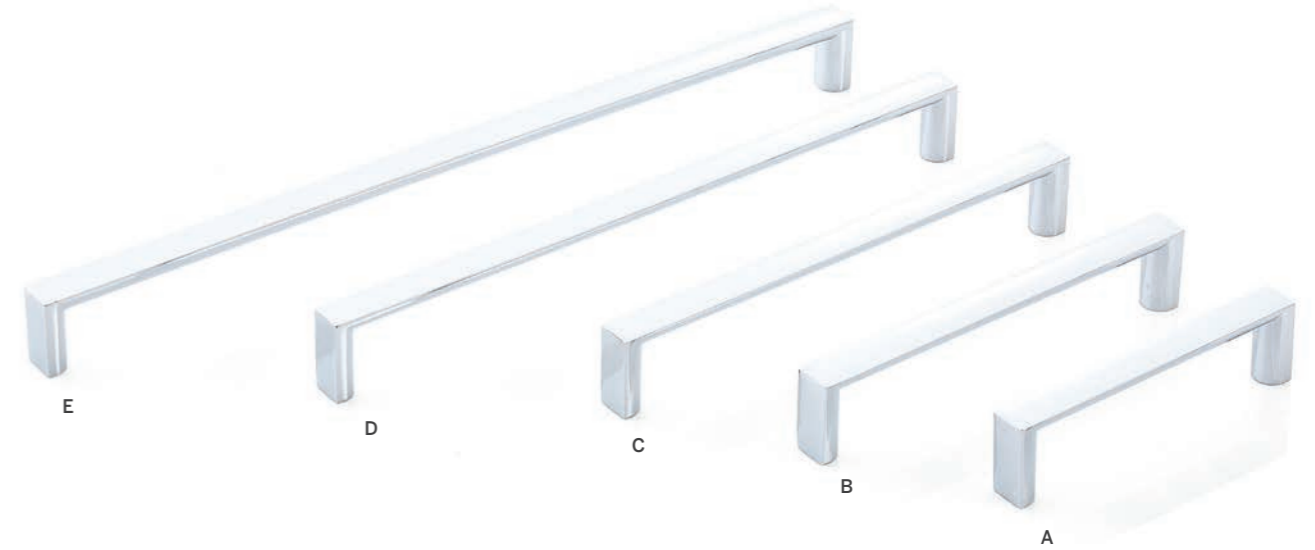
© Copyright 2015 All Rights Reserved. Specifications subject to change without notice.

© Copyright 2015 All Rights Reserved. Specifications subject to change without notice.

MOMO HANDLES



MOMO HANDLES



Cordoba

- Material: Zinc Alloy

Part No.	Finish	HC	OA	W	P
A KO187.128.SC	Satin Chrome	128	140	12	22
B KO187.160.SC	Satin Chrome	160	172	12	22
C KO187.224.SC	Satin Chrome	224	236	12	22

HC = Hole centre OA = Overall length W = Width P = Projection

© Copyright 2015 All Rights Reserved. Specifications subject to change without notice.

© Copyright 2015 All Rights Reserved. Specifications subject to change without notice.

Dallas - Chrome Plated

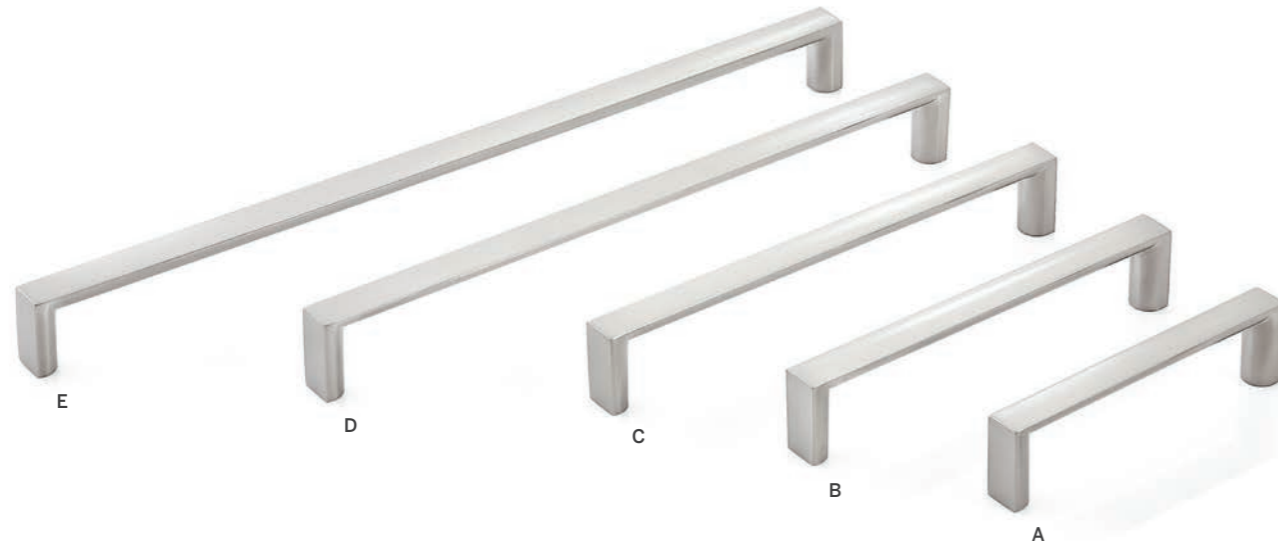
- Material: Zinc Alloy

Part No.	Finish	HC	OA	W	P
A FDH96.CP	Chrome Plated	96	104	12	26
B FDH128.CP	Chrome Plated	128	138	12	26
C FDH160.CP	Chrome Plated	160	169	12	26
D FDH224.CP	Chrome Plated	224	231	12	26

• Not Pictured HC = Hole centre OA = Overall length W = Width P = Projection

Part No.	Finish	HC	OA	W	P
E FDH288.CP	Chrome Plated	288	297	12	26
♦ FDH352.CP	Chrome Plated	352	361	12	26
♦ FDH448.CP	Chrome Plated	448	457	12	26

MOMO HANDLES



Dallas - Dull Brushed Nickel

- Material: Zinc Alloy

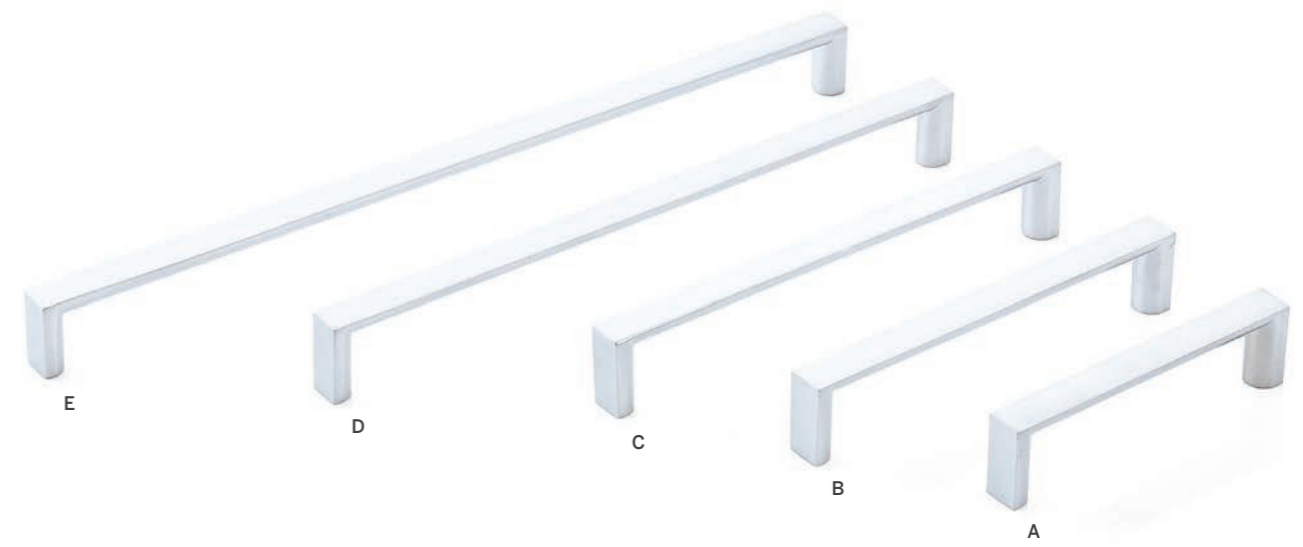
Part No.	Finish	HC	OA	W	P	
A	FDH96.DBR	Dull Brushed Nickel	96	104	12	26
B	FDH128.DBR	Dull Brushed Nickel	128	138	12	26
C	FDH160.DBR	Dull Brushed Nickel	160	169	12	26
D	FDH224.DBR	Dull Brushed Nickel	224	231	12	26

♦ = Not pictured HC = Hole centre OA = Overall length W = Width P = Projection

Part No.	Finish	HC	OA	W	P	
E	FDH288.DBR	Dull Brushed Nickel	288	297	12	26
♦	FDH352.DBR	Dull Brushed Nickel	352	361	12	26
♦	FDH448.DBR	Dull Brushed Nickel	448	457	12	26

© Copyright 2015 All Rights Reserved. Specifications subject to change without notice.

MOMO HANDLES



Dallas - Satin Chrome

- Material: Zinc Alloy

Part No.	Finish	HC	OA	W	P	
A	FDH96.SC	Satin Chrome	96	104	12	26
B	FDH128.SC	Satin Chrome	128	138	12	26
C	FDH160.SC	Satin Chrome	160	169	12	26
D	FDH224.SC	Satin Chrome	224	231	12	26

♦ = Not Pictured HC = Hole centre OA = Overall length W = Width P = Projection

© Copyright 2015 All Rights Reserved. Specifications subject to change without notice.

MOMO HANDLES



Calais

- Material: Stainless Steel

	Part No.	Finish	HC	OA	W	P
A	SDH150.SS	Stainless Steel	150	161	12	30
B	SDH300.SS	Stainless Steel	300	313	12	30

HC = Hole centre OA = Overall length W = Width P = Projection

© Copyright 2015 All Rights Reserved. Specifications subject to change without notice.

© Copyright 2015 All Rights Reserved. Specifications subject to change without notice.

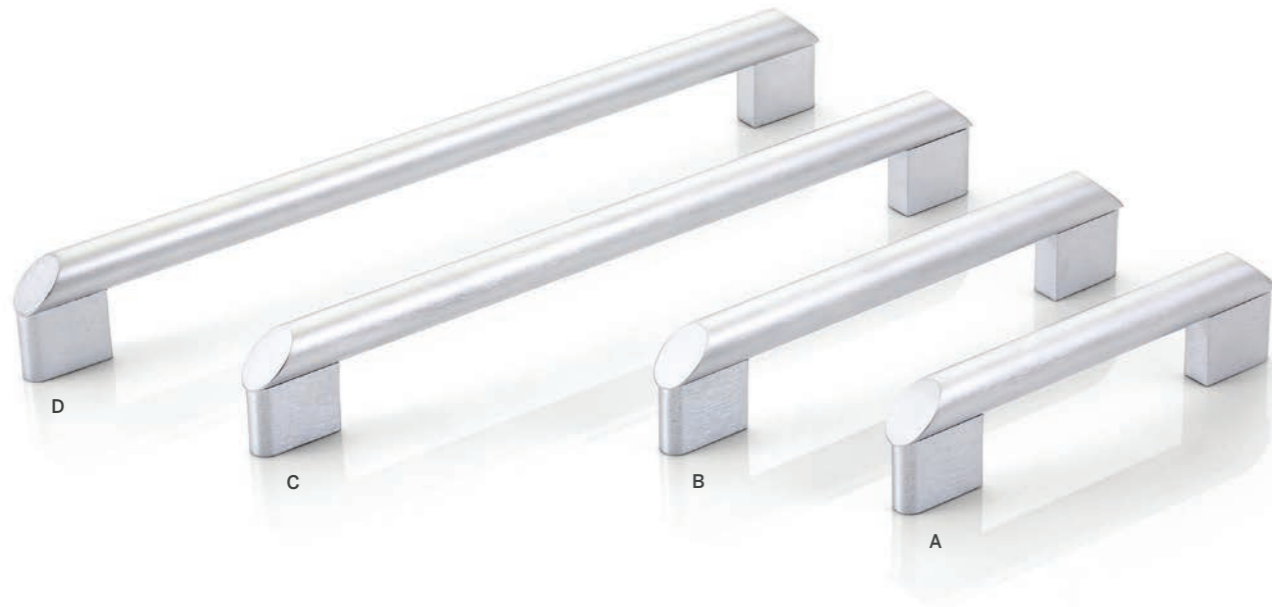


Larisa handles pictured - see page 36

Momo Handles - Contemporary Collection • Round D Handles

Momo Handles - Contemporary Collection • Square D Handles

MOMO HANDLES



Ortona

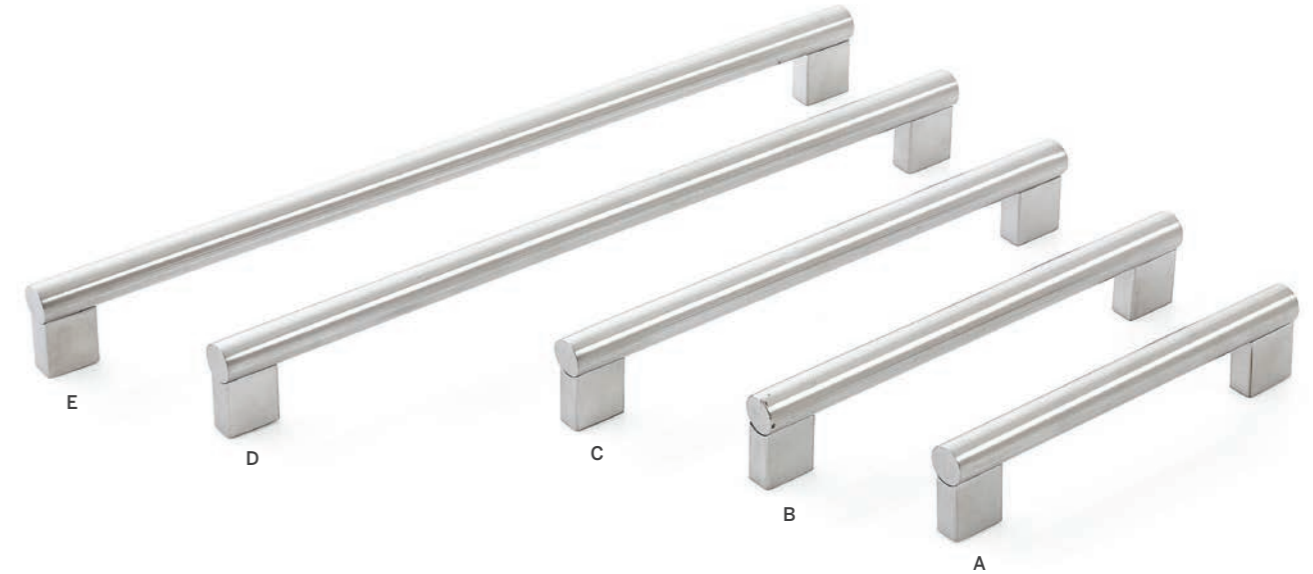
- Material: Aluminium

Part No.	Finish	HC	OA	W	P
A SRH128.BA	Brushed Aluminium	128	145	10	38
B SRH160.BA	Brushed Aluminium	160	177	10	38
♦ SRH256.BA	Brushed Aluminium	256	274	10	38
C SRH288.BA	Brushed Aluminium	288	306	10	38

Part No.	Finish	HC	OA	W	P
D SRH320.BA	Brushed Aluminium	320	334	10	38
♦ SRH416.BA	Brushed Aluminium	416	433	10	38
♦ SRH544.BA	Brushed Aluminium	544	563	10	38

♦ Not Pictured HC = Hole centre OA = Overall length W = Width P = Projection

MOMO HANDLES



Barletta

- Material: Hollow 304 Stainless Steel

Part No.	Finish	HC	OA	W	P
A M2003.128.SS	Stainless Steel	128	148	14	34
B M2003.160.SS	Stainless Steel	160	180	14	34
C M2003.192.SS	Stainless Steel	192	212	14	34
♦ M2003.288.SS	Stainless Steel	288	308	14	34
♦ M2003.320.SS	Stainless Steel	320	340	14	34

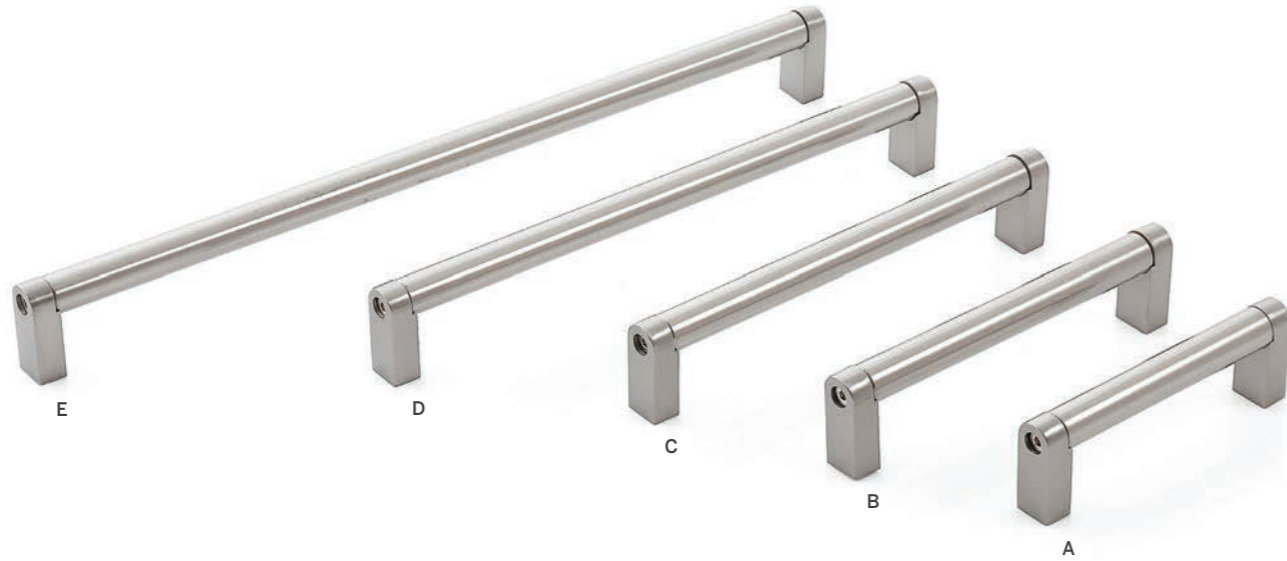
Part No.	Finish	HC	OA	W	P
D M2003.384.SS	Stainless Steel	384	404	14	34
E M2003.480.SS	Stainless Steel	480	500	14	34
♦ M2003.640.SS	Stainless Steel	640	660	14	34
♦ M2003.768.SS	Stainless Steel	768	788	14	34

♦ Not Pictured HC = Hole centre OA = Overall length W = Width P = Projection

© Copyright 2015 All Rights Reserved. Specifications subject to change without notice.

© Copyright 2015 All Rights Reserved. Specifications subject to change without notice.

MOMO HANDLES



Vigo

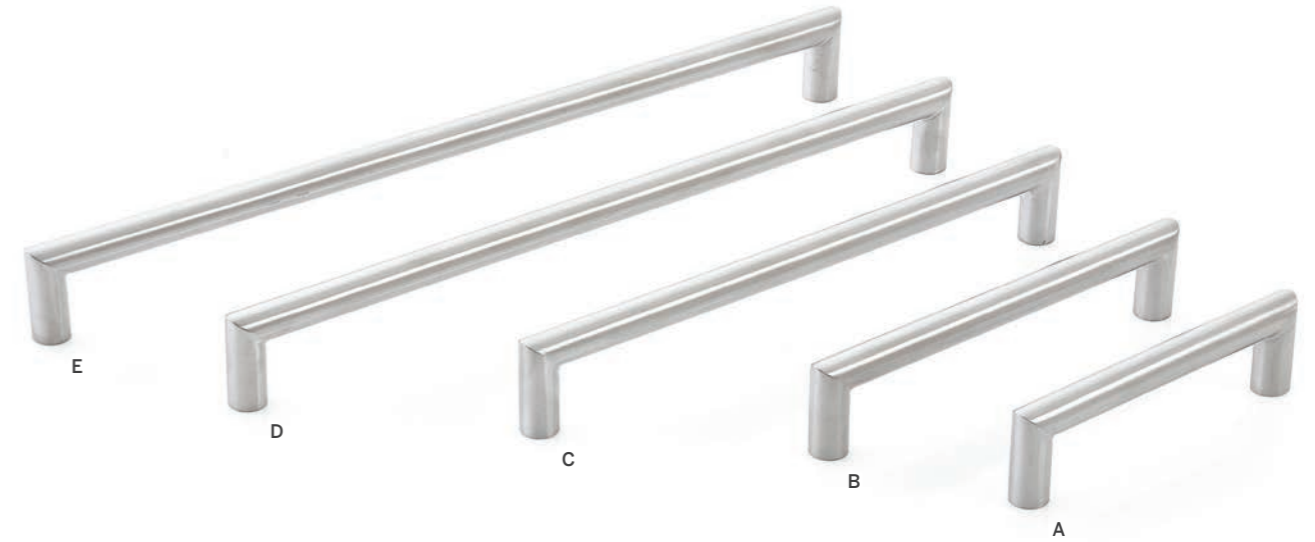
- Material: Zinc Alloy

Part No.	Finish	HC	OA	W	P	
A	M367.96.BRN	Brushed Nickel	96	106	14	35
B	M367.128.BRN	Brushed Nickel	128	138	14	35
C	M367.160.BRN	Brushed Nickel	160	170	14	35

Part No.	Finish	HC	OA	W	P	
D	M367.224.BRN	Brushed Nickel	224	234	14	35
E	M367.320.BRN	Brushed Nickel	320	330	14	35

HC = Hole centre OA = Overall length W = Width P = Projection

MOMO HANDLES



Bergamo

- Material: Hollow 304 Stainless Steel

Part No.	Finish	HC	OA	W	P	
A	KHD96.SS	Stainless Steel	96	108	12	34
B	KHD128.SS	Stainless Steel	128	140	12	34
♦	KHD160.SS	Stainless Steel	160	172	12	34
C	KHD192.SS	Stainless Steel	192	204	12	34
♦	KHD224.SS	Stainless Steel	224	236	12	34
D	KHD256.SS	Stainless Steel	256	268	12	34

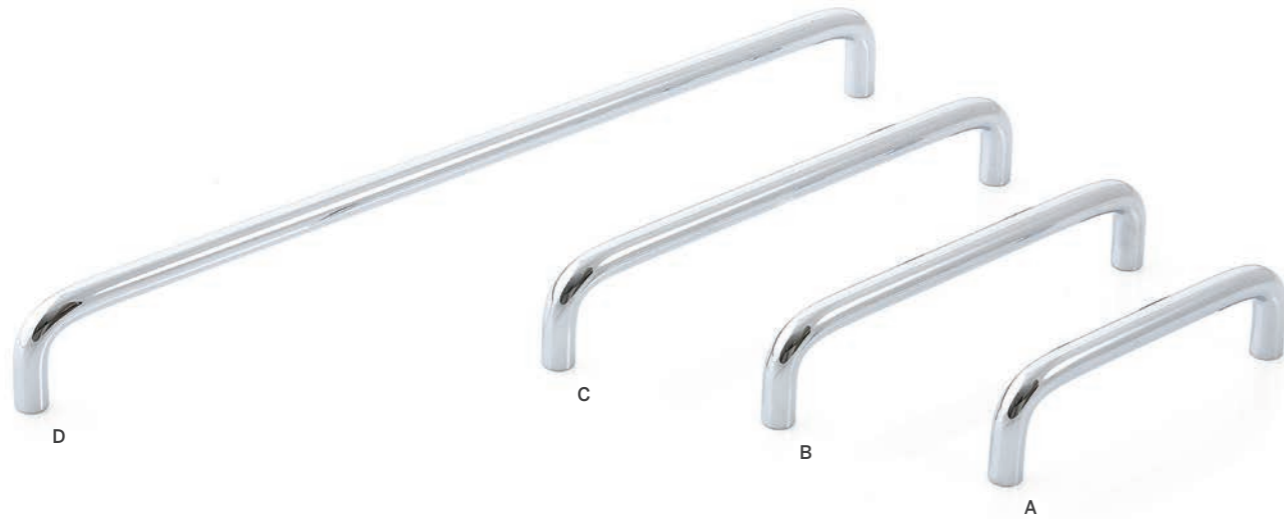
Part No.	Finish	HC	OA	W	P	
E	KHD288.SS	Stainless Steel	288	300	12	34
♦	KHD320.SS	Stainless Steel	320	332	12	34
♦	KHD352.SS	Stainless Steel	352	364	12	34
♦	KHD480.SS	Stainless Steel	480	492	12	34
♦	KHD608.SS	Stainless Steel	608	620	12	34
♦	KHD896.SS	Stainless Steel	896	908	12	34

♦ Not Pictured HC = Hole centre OA = Overall length W = Width P = Projection

© Copyright 2015 All Rights Reserved. Specifications subject to change without notice.

© Copyright 2015 All Rights Reserved. Specifications subject to change without notice.

MOMO
HANDLES



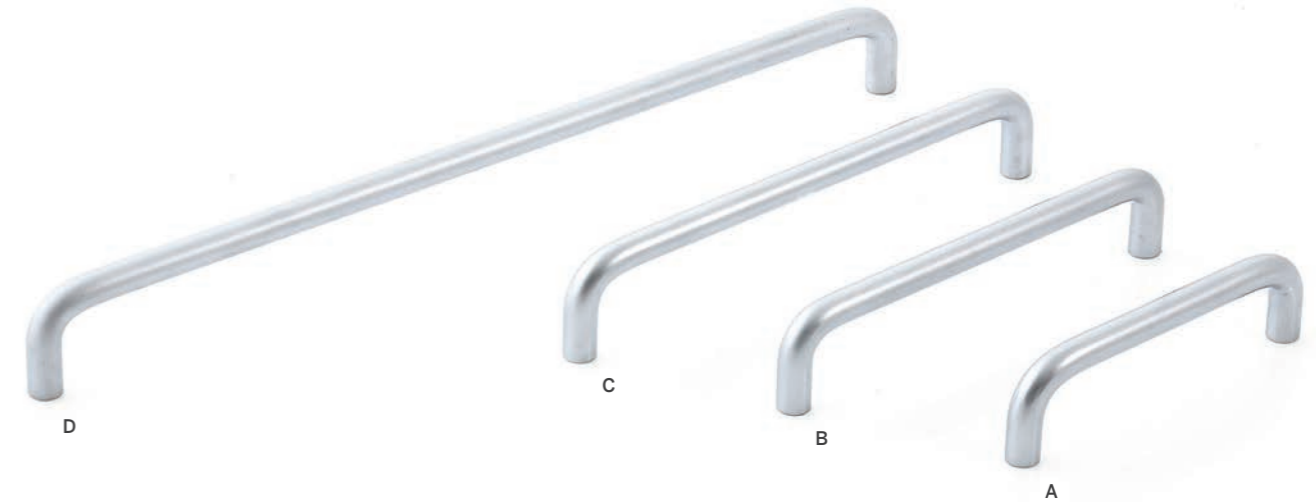
Baltimore - Chrome Plated

- Material: Steel

Part No.	Finish	HC	OA	W	p
A MDH96.CP	Chrome Plated	96	105	10	32
B MDH128.CP	Chrome Plated	128	137	10	32
C MDH160.CP	Chrome Plated	160	168	10	32
D MDH288.CP	Chrome Plated	288	299	10	32

HC = Hole centre OA = Overall length W = Width P = Projection

MOMO
HANDLES



Baltimore - Satin Chrome

- Material: Steel

Part No.	Finish	HC	OA	W	p
A MDH96.SC	Satin Chrome	96	105	10	32
B MDH128.SC	Satin Chrome	128	137	10	32
C MDH160.SC	Satin Chrome	160	168	10	32
D MDH288.SC	Satin Chrome	288	299	10	32

HC = Hole centre OA = Overall length W = Width P = Projection

© Copyright 2015 All Rights Reserved. Specifications subject to change without notice.

© Copyright 2015 All Rights Reserved. Specifications subject to change without notice.

MOMO HANDLES



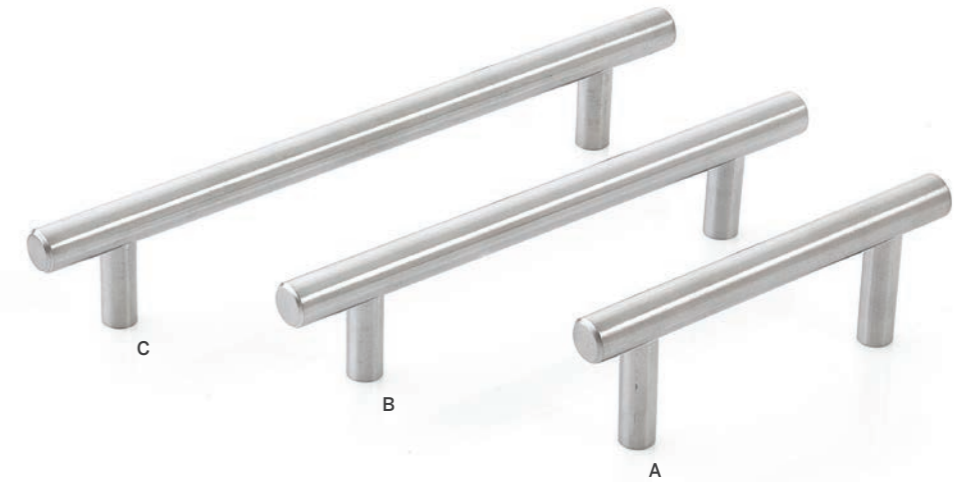
Baltimore - Brushed Nickel

- Material: Steel

Part No.	Finish	HC	OA	W	P
A MDH96.BRN	Brushed Nickel	96	105	10	32
B MDH128.BRN	Brushed Nickel	128	137	10	32
C MDH160.BRN	Brushed Nickel	160	168	10	32
D MDH288.BRN	Brushed Nickel	288	299	10	32

HC = Hole centre OA = Overall length W = Width P = Projection

MOMO HANDLES



Morella

- Material: Solid Stainless Steel
- 10mm Ø Rail, 8mm Ø Post

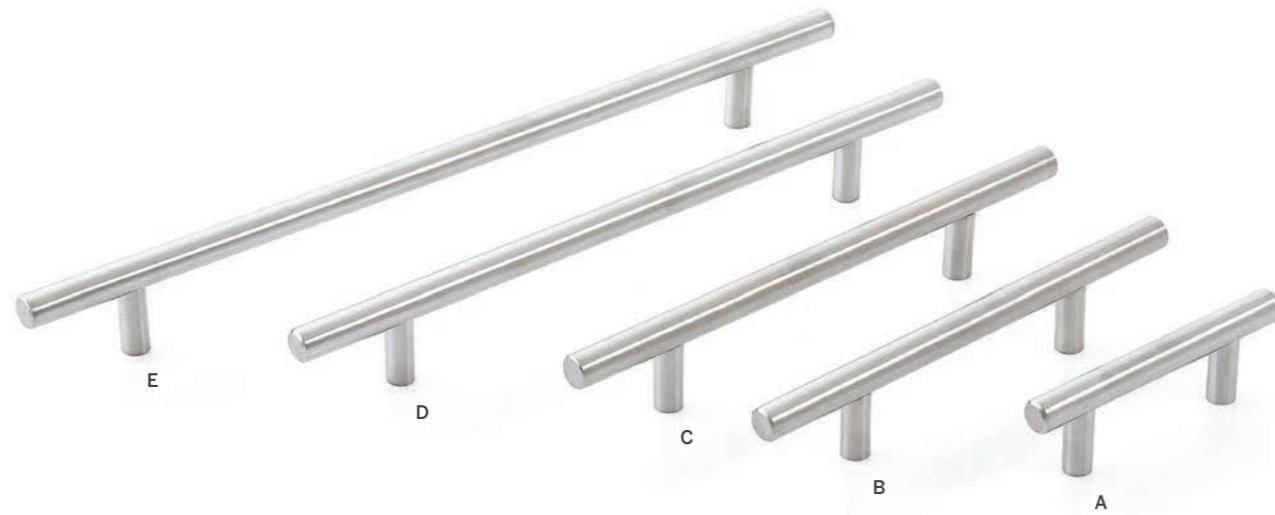
Part No.	Finish	HC	OA	P
A RHT96.SS	Stainless Steel	96	136	30
B RHT128.SS	Stainless Steel	128	168	30
C RHT160.SS	Stainless Steel	160	200	30

HC = Hole centre OA = Overall length W = Width P = Projection

© Copyright 2015 All Rights Reserved. Specifications subject to change without notice.

© Copyright 2015 All Rights Reserved. Specifications subject to change without notice.

MOMO HANDLES



Larisa

- Material: Hollow 304 Stainless Steel
- 12mm Ø Rail, 10mm Ø Post

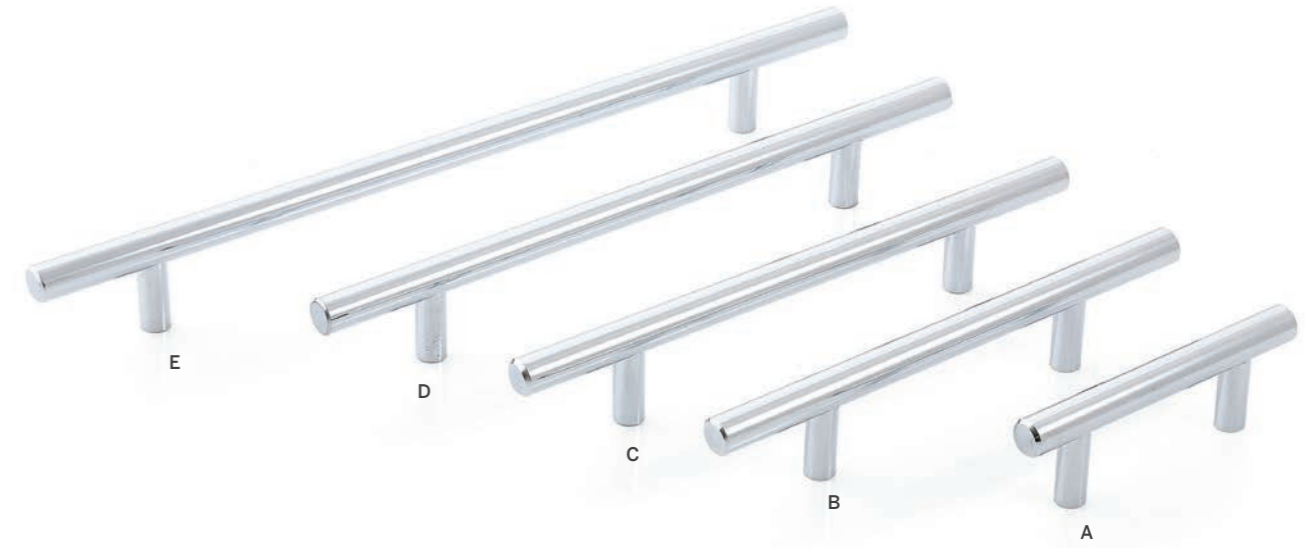
Part No.	Finish	HC	OA	P
• HPR76.SS	Stainless Steel	76	105	34
A HPR96.SS	Stainless Steel	96	176	34
B HPR128.SS	Stainless Steel	128	208	34
C HPR160.SS	Stainless Steel	160	240	34

• Not Pictured HC = Hole centre OA = Overall length W = Width P = Projection

Part No.	Finish	HC	OA	P
D HPR224.SS	Stainless Steel	224	304	34
E HPR288.SS	Stainless Steel	288	368	34
• HPR416.SS	Stainless Steel	416	496	34

© Copyright 2015 All Rights Reserved. Specifications subject to change without notice.

MOMO HANDLES



Kalmar - Chrome Plated

- Material: Zinc Alloy
- 12mm Ø Rail, 10mm Ø Post

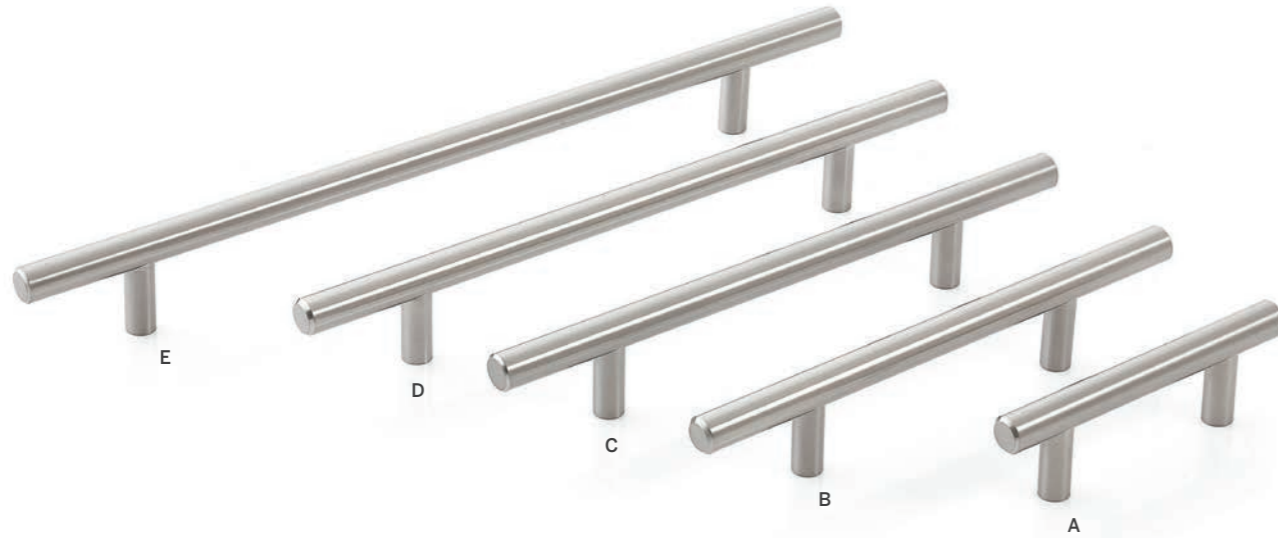
Part No.	Finish	HC	OA	P
A RH96.CP	Chrome Plated	96	176	34
B RH128.CP	Chrome Plated	128	208	34
C RH160.CP	Chrome Plated	160	240	34
D RH192.CP	Chrome Plated	192	272	34

• Not Pictured HC = Hole centre OA = Overall length W = Width P = Projection

Part No.	Finish	HC	OA	P
E RH224.CP	Chrome Plated	224	304	34
• RH288.CP	Chrome Plated	288	368	34
• RH320.CP	Chrome Plated	320	400	34
• RH416.CP	Chrome Plated	416	496	34

© Copyright 2015 All Rights Reserved. Specifications subject to change without notice.

MOMO HANDLES



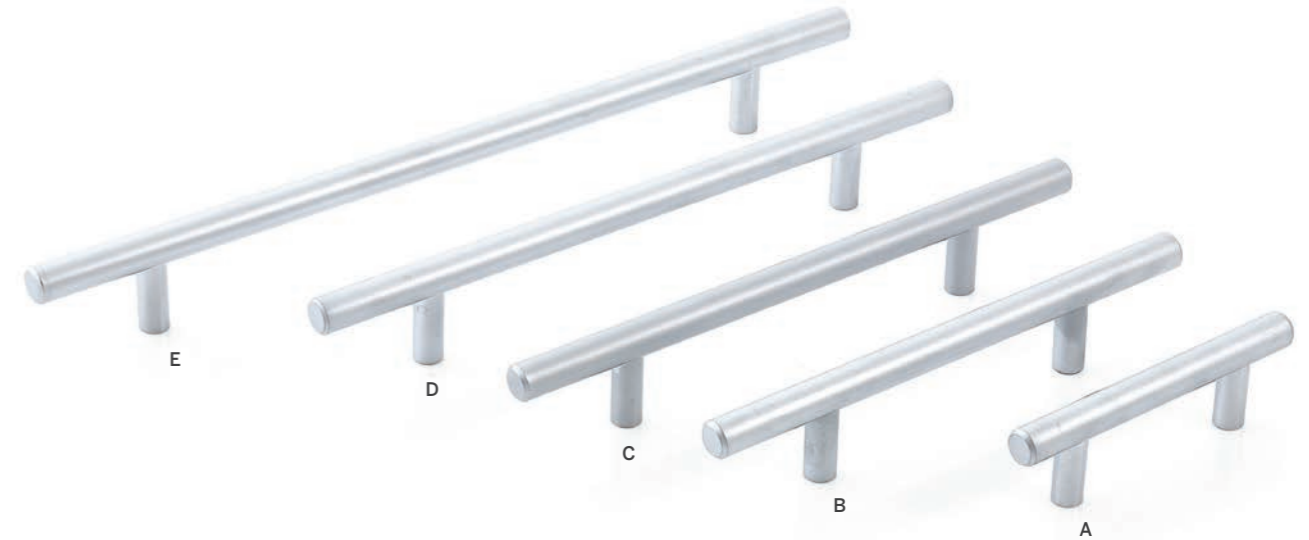
Kalmar - Brushed Nickel

- Material: Zinc Alloy
- 12mm Ø Rail, 10mm Ø Post

Part No.	Finish	HC	OA	P	Part No.	Finish	HC	OA	P		
A	RH96.BRN	Brushed Nickel	96	176	34	E	RH224.BRN	Brushed Nickel	224	304	34
B	RH128.BRN	Brushed Nickel	128	208	34	•	RH288.BRN	Brushed Nickel	288	368	34
C	RH160.BRN	Brushed Nickel	160	240	34	•	RH320.BRN	Brushed Nickel	320	400	34
D	RH192.BRN	Brushed Nickel	192	272	34	•	RH416.BRN	Brushed Nickel	416	496	34

• Not Pictured HC = Hole centre OA = Overall length W = Width P = Projection

MOMO HANDLES



Kalmar - Satin Chrome

- Material: Zinc Alloy
- 12mm Ø Rail, 10mm Ø Post

Part No.	Finish	HC	OA	P	Part No.	Finish	HC	OA	P		
A	RH96.SC	Satin Chrome	96	176	34	E	RH224.SC	Satin Chrome	224	304	34
B	RH128.SC	Satin Chrome	128	208	34	•	RH288.SC	Satin Chrome	288	368	34
C	RH160.SC	Satin Chrome	160	240	34	•	RH320.SC	Satin Chrome	320	400	34
D	RH192.SC	Satin Chrome	192	272	34	•	RH416.SC	Satin Chrome	416	496	34

• Not Pictured HC = Hole centre OA = Overall length W = Width P = Projection

© Copyright 2015 All Rights Reserved. Specifications subject to change without notice.

© Copyright 2015 All Rights Reserved. Specifications subject to change without notice.



MOMO
HANDLES



Modica

- Material: Zinc Alloy

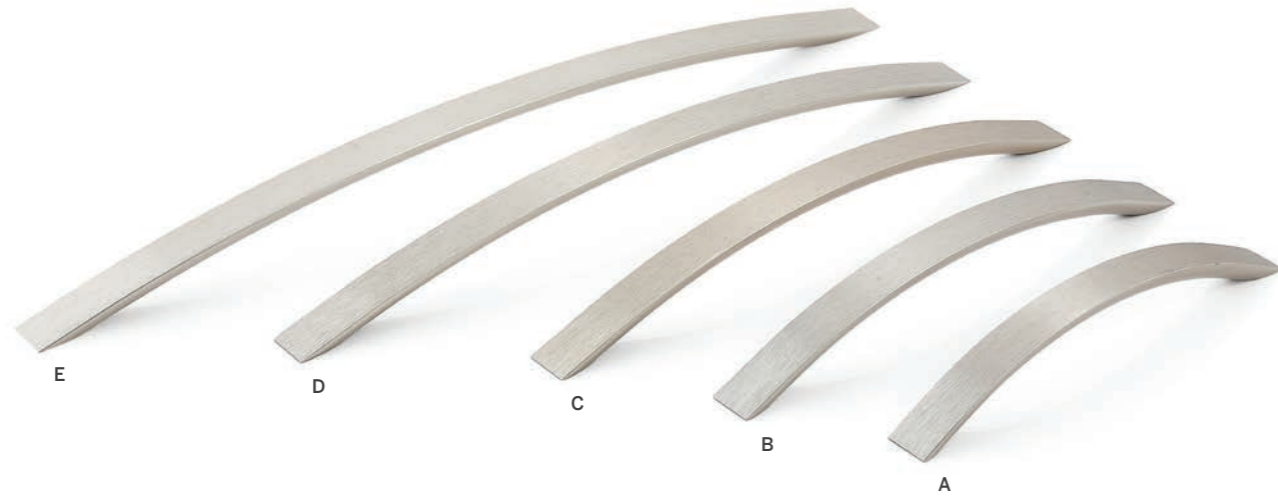
	Part No.	Finish	HC	OA	W	P
A	WFARCH160.CP	Chrome Plated	160	172	20	20
B	WFARCH224.CP	Chrome Plated	224	237	20	26

HC = Hole centre OA = Overall length W = Width P = Projection

© Copyright 2015 All Rights Reserved. Specifications subject to change without notice.

© Copyright 2015 All Rights Reserved. Specifications subject to change without notice.

MOMO HANDLES



Caserta Aluminium Brushed Nickel

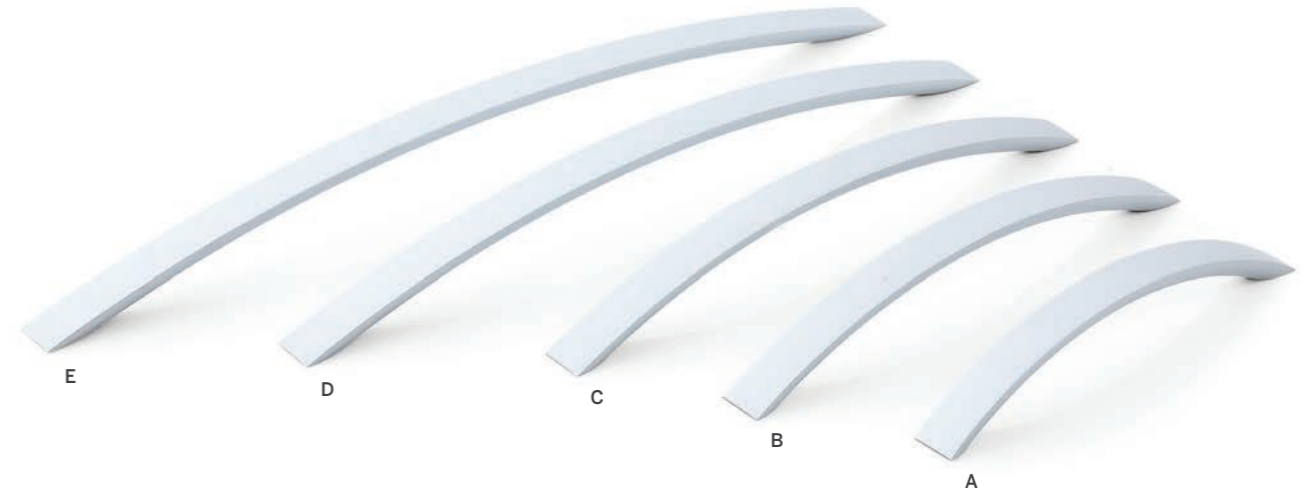
- Material: Aluminium

Part No.	Finish	HC	OA	W	P
A MFBH160.ABN	Aluminium Brushed Nickel	160	189	20	30
B MFBH192.ABN	Aluminium Brushed Nickel	192	228	20	30
C MFBH224.ABN	Aluminium Brushed Nickel	224	264	20	30

Part No.	Finish	HC	OA	W	P
D MFBH288.ABN	Aluminium Brushed Nickel	288	341	20	30
E MFBH352.ABN	Aluminium Brushed Nickel	352	417	20	30

HC = Hole centre OA = Overall length W = Width P = Projection

MOMO HANDLES



Caserta - Aluminium

- Material: Aluminium

Part No.	Finish	HC	OA	W	P
A MFBH160.ABN	Aluminium	160	189	20	30
B MFBH192.ABN	Aluminium	192	228	20	30
C MFBH224.ABN	Aluminium	224	264	20	30

Part No.	Finish	HC	OA	W	P
D MFBH288.ABN	Aluminium	288	341	20	30
E MFBH352.ABN	Aluminium	352	417	20	30

HC = Hole centre OA = Overall length W = Width P = Projection

© Copyright 2015 All Rights Reserved. Specifications subject to change without notice.

© Copyright 2015 All Rights Reserved. Specifications subject to change without notice.

MOMO HANDLES



Brooklyn - Brushed Nickel

- Material: Zinc Alloy

	Part No.	Finish	HC	OA	W	P
A	WHAH96.BRN	Brushed Nickel	96	108	15	32
B	WHAH128.BRN	Brushed Nickel	128	146	15	29

HC = Hole centre OA = Overall length W = Width P = Projection

© Copyright 2015 All Rights Reserved. Specifications subject to change without notice.

MOMO HANDLES



Brooklyn - Chrome Plated

- Material: Zinc Alloy

	Part No.	Finish	HC	OA	W	P
A	WHAH96.CP	Chrome Plated	96	108	15	32
B	WHAH128.CP	Chrome Plated	128	146	15	29

HC = Hole centre OA = Overall length W = Width P = Projection

© Copyright 2015 All Rights Reserved. Specifications subject to change without notice.

MOMO
HANDLES



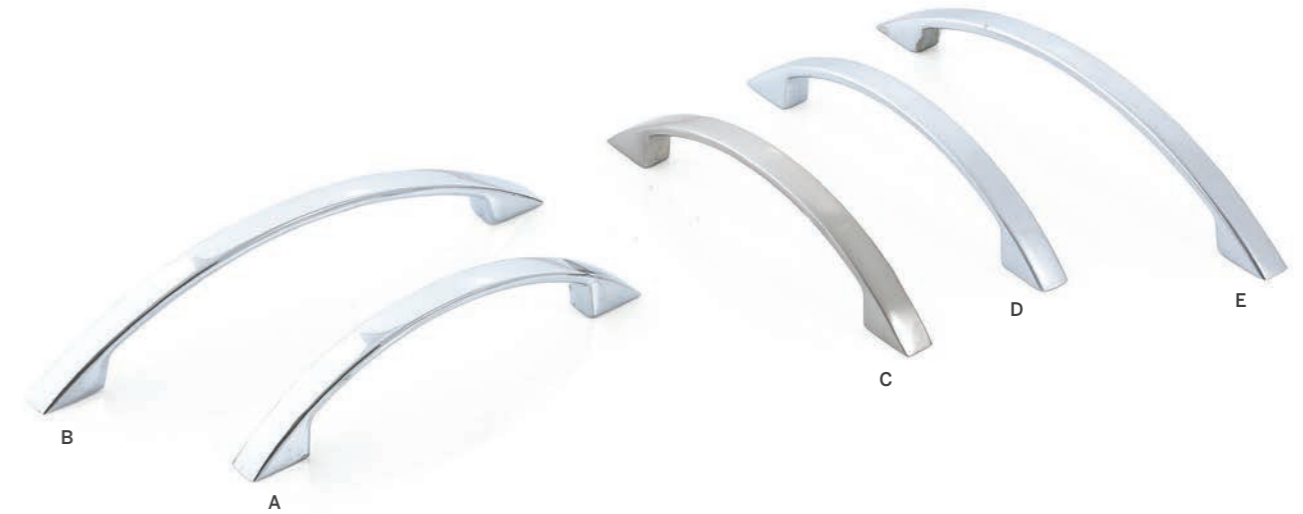
Brooklyn - Satin Chrome

- Material: Zinc Alloy

Part No.	Finish	HC	OA	W	P
A WHAH96.SC	Satin Chrome	96	108	15	32
B WHAH128.SC	Satin Chrome	128	146	15	29

HC = Hole centre OA = Overall length W = Width P = Projection

MOMO
HANDLES



Breda

- Material: Zinc Alloy

Part No.	Finish	HC	OA	W	P
A FAH96.CP	Chrome Plated	96	125	10	26
B FAH128.CP	Chrome Plated	128	155	10	26
C FAH96.BRN	Brushed Nickel	96	125	10	26
D FAH96.SC	Satin Chrome	96	125	10	26
E FAH128.SC	Satin Chrome	128	155	10	26

HC = Hole centre OA = Overall length W = Width P = Projection

© Copyright 2015 All Rights Reserved. Specifications subject to change without notice.

© Copyright 2015 All Rights Reserved. Specifications subject to change without notice.

MOMO
HANDLES



Houston

- Material: Zinc Alloy

Part No.	Finish	HC	OA	W	P
A TFB96.DBR	Dull Brushed Nickel	96	137	16	23
B TFB128.DBR	Dull Brushed Nickel	128	183	20	23

HC = Hole centre OA = Overall length W = Width P = Projection

MOMO
HANDLES



Zurich

- Material: Zinc Alloy

Part No.	Finish	HC	OA	W	P	Part No.	Finish	HC	OA	W	P
A M744.CP	Chrome Plated	-	35 Ø	-	28	D M544.128.CP	Chrome Plated	128	164	15	27
B M744.MN	Matt Nickel	-	35 Ø	-	28	E M544.128.MN	Matt Nickel	128	164	15	27
C M744.MC	Matt Chrome	-	35 Ø	-	28	F M544.128.MC	Matt Chrome	128	164	15	27

HC = Hole centre OA = Overall length W = Width P = Projection Ø = Diameter

© Copyright 2015 All Rights Reserved. Specifications subject to change without notice.

© Copyright 2015 All Rights Reserved. Specifications subject to change without notice.

MOMO HANDLES



Venice

- Material: Zinc Alloy

	Part No.	Finish	HC	OA	W	P
A	M588.128.MN	Matt Nickel	128	200	13	23
B	M588.160.MN	Matt Nickel	160	255	17	29

HC = Hole centre OA = Overall length W = Width P = Projection

MOMO HANDLES



Toulon

- Material: Zinc Alloy

	Part No.	Finish	HC	OA	W	P
A	M550.96.MN	Matt Nickel	96	120	16	26
B	M550.96.CP	Chrome Plated	96	120	16	26
C	M551.128.MN	Matt Nickel	128	162	18	29
D	M551.128.CP	Chrome Plated	128	162	18	29

HC = Hole centre OA = Overall length W = Width P = Projection

© Copyright 2015 All Rights Reserved. Specifications subject to change without notice.

© Copyright 2015 All Rights Reserved. Specifications subject to change without notice.

MOMO HANDLES



Hudson

- Material: Zinc Alloy

Part No.	Finish	HC	OA	W	P
A BRH96.CP	Chrome Plated	96	138	10	25
B BRH96.BRN	Brushed Nickel	96	138	10	25

HC = Hole centre OA = Overall length W = Width P = Projection

MOMO HANDLES



Halden Brushed Nickel & Satin Nickel

- Material: Zinc Alloy

Part No.	Finish	HC	OA	W	P
A TPRD96.BRN	Brushed Nickel	96	114	9	29
B TPRD128.BRN	Brushed Nickel	128	150	11	29
D TPRD96.SN	Satin Nickel	96	114	9	29
E TPRD128.SN	Satin Nickel	128	150	11	29

HC = Hole centre OA = Overall length W = Width P = Projection

© Copyright 2015 All Rights Reserved. Specifications subject to change without notice.

© Copyright 2015 All Rights Reserved. Specifications subject to change without notice.

MOMO HANDLES



Halden Satin Chrome & Chrome Plated

- Material: Zinc Alloy

Part No.	Finish	HC	OA	W	P	
A	TPRD96.SC	Satin Chrome	96	114	9	29
B	TPRD128.SC	Satin Chrome	128	150	11	29
D	TPRD96.CP	Chrome Plated	96	114	9	29
E	TPRD128.CP	Chrome Plated	128	150	11	29

HC = Hole centre OA = Overall length W = Width P = Projection

MOMO HANDLES



Halden Matt Black & Black Nickel

- Material: Zinc Alloy

Part No.	Finish	HC	OA	W	P	
A	TPRD96.BL	Matt Black	96	114	9	29
C	TPRD96.BN	Black Nickel	96	114	9	29
B	TPRD128.BN	Black Nickel	128	150	11	29

HC = Hole centre OA = Overall length W = Width P = Projection

© Copyright 2015 All Rights Reserved. Specifications subject to change without notice.

© Copyright 2015 All Rights Reserved. Specifications subject to change without notice.

MOMO HANDLES



Brushed Nickel & Matt Black

- Material: Zinc Alloy

	Part No.	Finish	HC	OA	W	P
A	STRT96.BRN	Brushed Nickel	96	115	10	30
B	STRT128.BRN	Brushed Nickel	128	154	10	30
C	STRT96.BL	Matt Black	96	115	10	30

HC = Hole centre OA = Overall length W = Width P = Projection

© Copyright 2015 All Rights Reserved. Specifications subject to change without notice.

MOMO HANDLES



Locarno - Satin Chrome

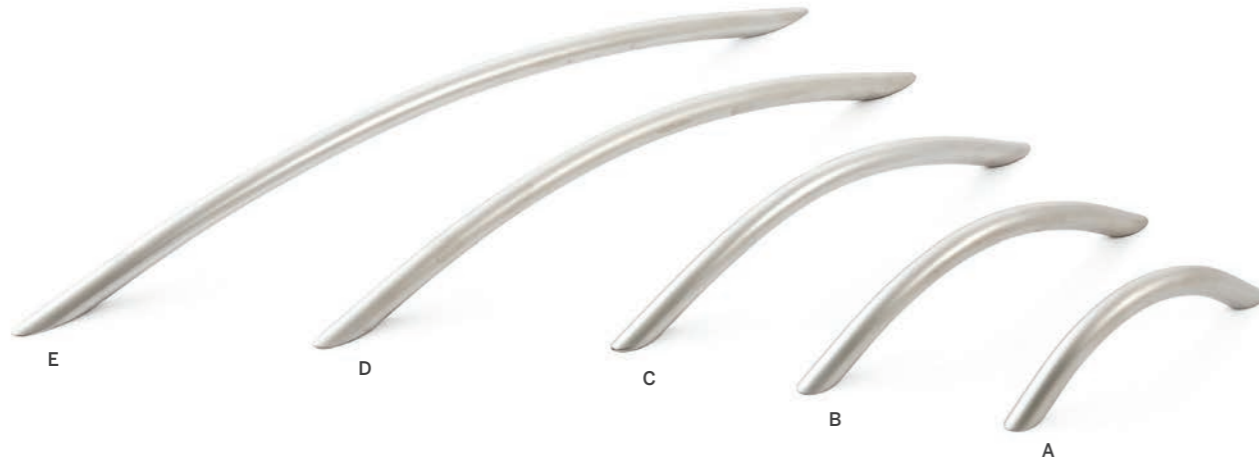
- Material: Zinc Alloy

	Part No.	Finish	HC	OA	W	P
A	STRT96.SC	Satin Chrome	96	115	10	30
B	STRT128.SC	Satin Chrome	128	154	10	30

HC = Hole centre OA = Overall length W = Width P = Projection

© Copyright 2015 All Rights Reserved. Specifications subject to change without notice.

MOMO HANDLES



Locarno - Satin Nickel

- Material: Zinc Alloy

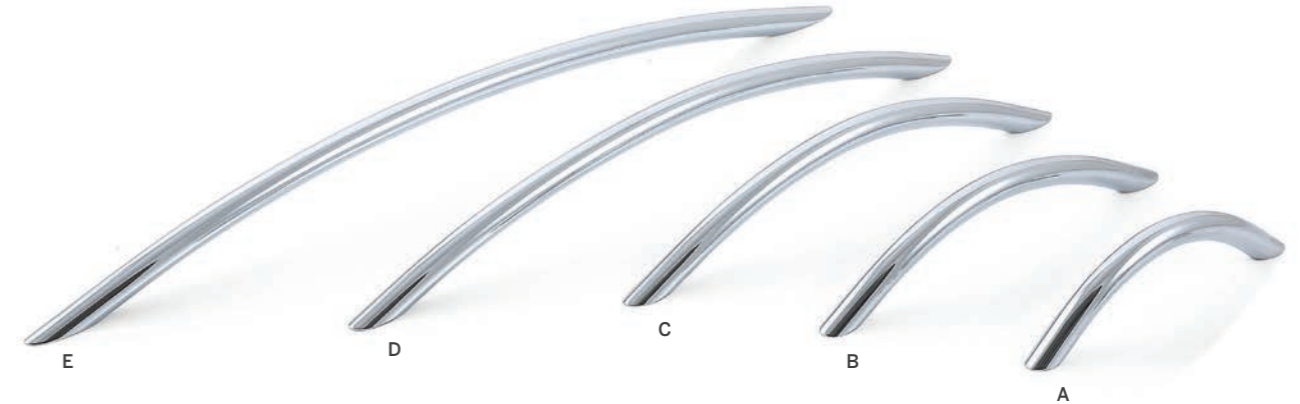
	Part No.	Finish	HC	OA	W	P
A	STRT96.SN	Satin Nickel	96	115	10	30
B	STRT128.SN	Satin Nickel	128	154	10	30
C	STRT160.SN	Satin Nickel	160	185	10	30
D	STRT192.SN	Satin Nickel	192	222	10	30

	Part No.	Finish	HC	OA	W	P
E	STRT224.SN	Satin Nickel	224	258	10	30
♦	STRT256.SN	Satin Nickel	256	310	10	30
♦	STRT288.SN	Satin Nickel	288	333	10	30

♦ = Not pictured HC = Hole centre OA = Overall length W = Width P = Projection

© Copyright 2015 All Rights Reserved. Specifications subject to change without notice.

MOMO HANDLES



Locarno - Chrome Plated

- Material: Zinc Alloy

	Part No.	Finish	HC	OA	W	P
A	STRT96.CP	Chrome Plated	96	115	10	30
B	STRT128.CP	Chrome Plated	128	154	10	30
C	STRT160.CP	Chrome Plated	160	185	10	30
D	STRT192.CP	Chrome Plated	192	222	10	30

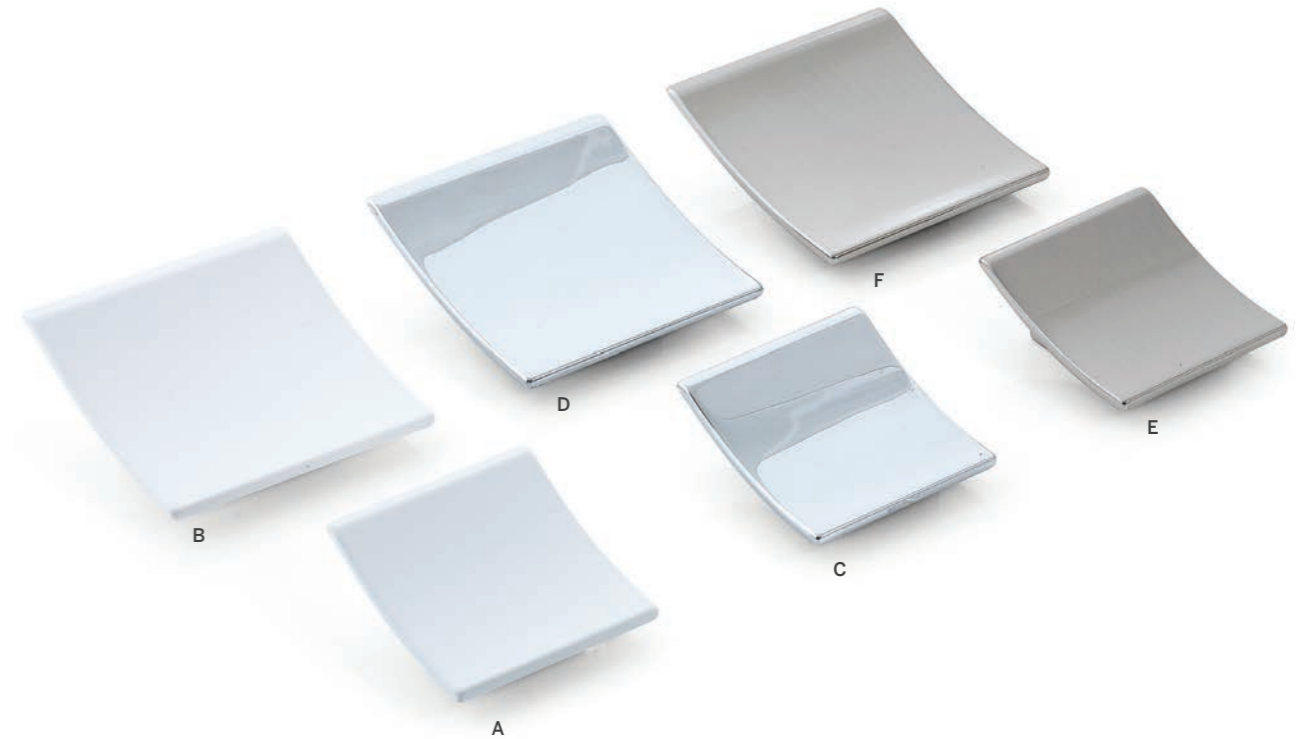
	Part No.	Finish	HC	OA	W	P
E	STRT224.CP	Chrome Plated	224	258	10	30
♦	STRT256.CP	Chrome Plated	256	310	10	30
♦	STRT288.CP	Chrome Plated	288	333	10	30

♦ = Not pictured HC = Hole centre OA = Overall length W = Width P = Projection

© Copyright 2015 All Rights Reserved. Specifications subject to change without notice.



MOMO HANDLES



Milazzo

- Material: Zinc Alloy

	Part No.	Finish	HC	OA	W	P
A	K352B.60.WH	White	32	60	60	24
B	K352A.80.WH	White	32	80	80	27
C	K352B.60.CP	Chrome Plated	32	60	60	24

	Part No.	Finish	HC	OA	W	P
D	K352A.80.CP	Chrome Plated	32	80	80	27
E	K352B.60.SN	Satin Nickel	32	60	60	24
F	K352A.80.SN	Satin Nickel	32	80	80	27

HC = Hole centre OA = Overall length W = Width P = Projection

© Copyright 2015 All Rights Reserved. Specifications subject to change without notice.

© Copyright 2015 All Rights Reserved. Specifications subject to change without notice.

MOMO HANDLES



MOMO HANDLES



Cosenza - White

- Material: Zinc Alloy

	Part No.	Finish	HC	OA	W	P
A	K353.32.WH	White	32	60	60	23
B	K356.160.WH	White	160	169	60	24

HC = Hole centre OA = Overall length W = Width P = Projection

© Copyright 2015 All Rights Reserved. Specifications subject to change without notice.

Cosenza - Chrome Plated

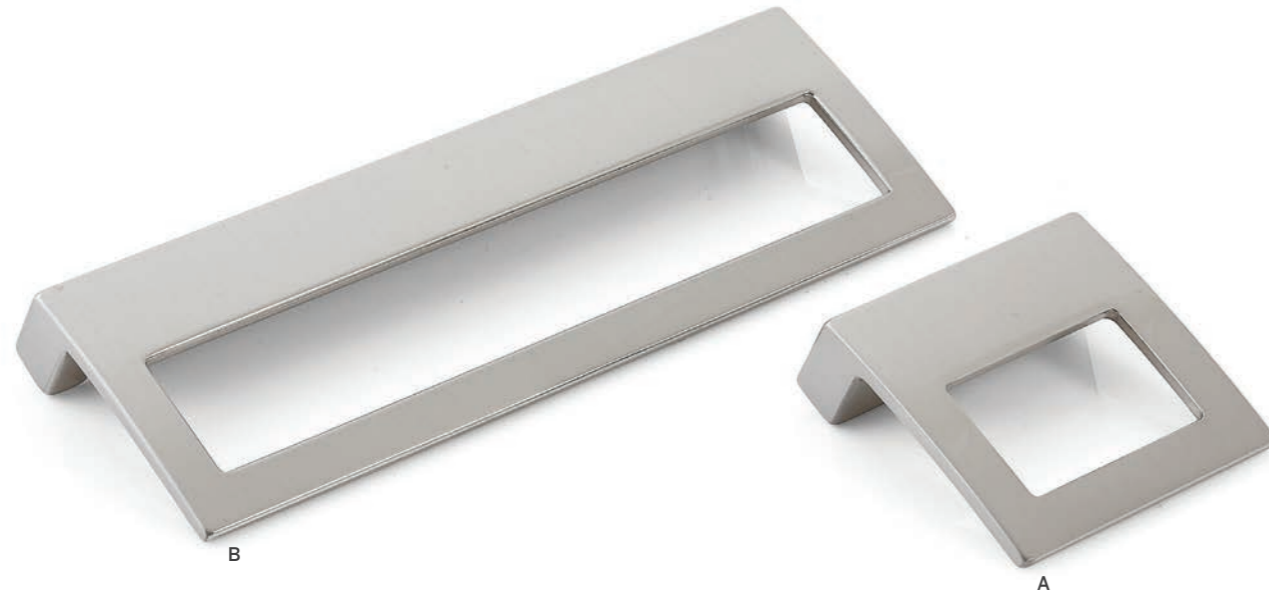
- Material: Zinc Alloy

	Part No.	Finish	HC	OA	W	P
A	K353.32.CP	Chrome Plated	32	60	60	23
B	K356.160.CP	Chrome Plated	160	169	60	24

HC = Hole centre OA = Overall length W = Width P = Projection

© Copyright 2015 All Rights Reserved. Specifications subject to change without notice.

MOMO HANDLES



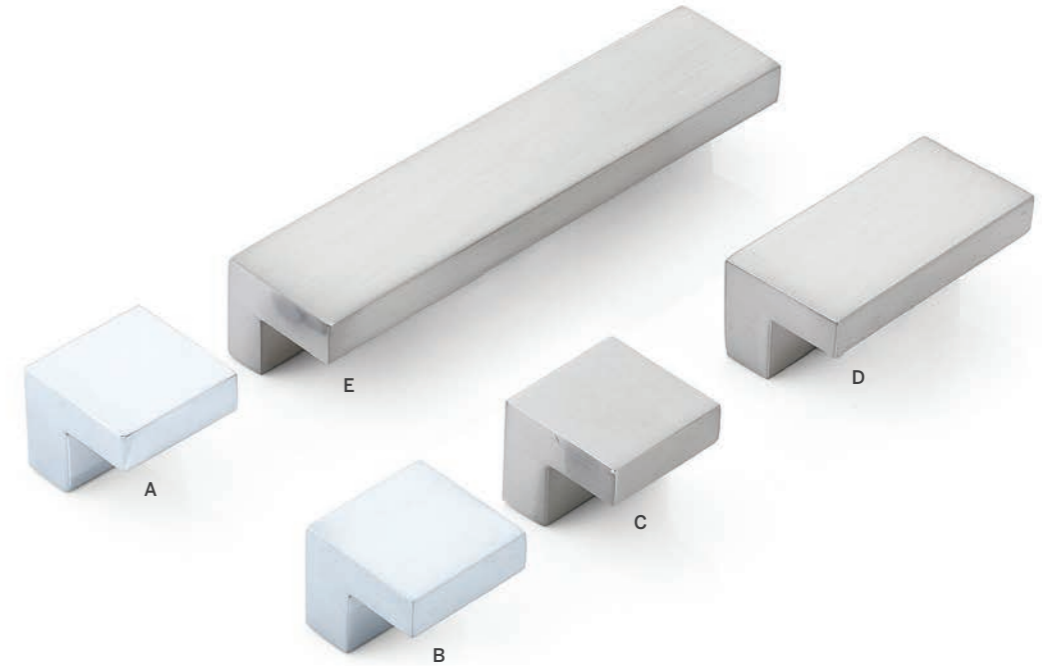
Cosenza - Satin Nickel

- Material: Zinc Alloy

	Part No.	Finish	HC	OA	W	P
A	K353.32.SN	Satin Nickel	32	60	60	23
B	K356.160.SN	Satin Nickel	160	169	60	24

HC = Hole centre OA = Overall length W = Width P = Projection

MOMO HANDLES



Zafra

- Material: Zinc Alloy

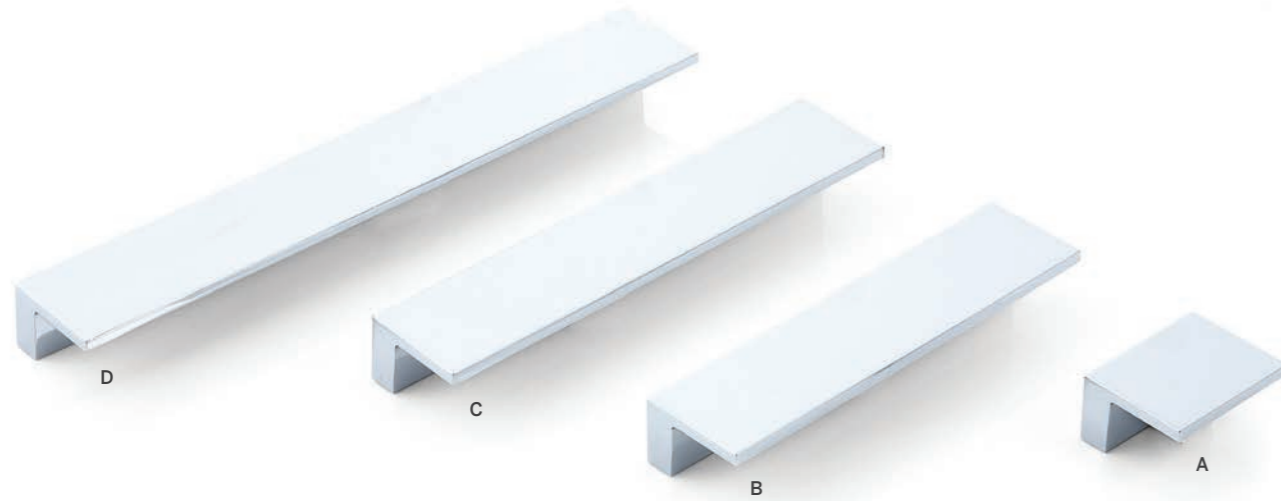
	Part No.	Finish	HC	OA	W	P
A	SSQ25.CP	Chrome Plated	17	26	25	21
B	SSQ25.SC	Satin Chrome	17	26	25	21
C	SSQ25.DBR	Dull Brushed Nickel	17	26	25	21
D	SSQ50.DBR	Dull Brushed Nickel	32	50	25	21
E	SSQ96.DBR	Dull Brushed Nickel	96	111	25	21

HC = Hole centre OA = Overall length W = Width P = Projection

© Copyright 2015 All Rights Reserved. Specifications subject to change without notice.

© Copyright 2015 All Rights Reserved. Specifications subject to change without notice.

MOMO HANDLES



Orlando - Chrome Plated

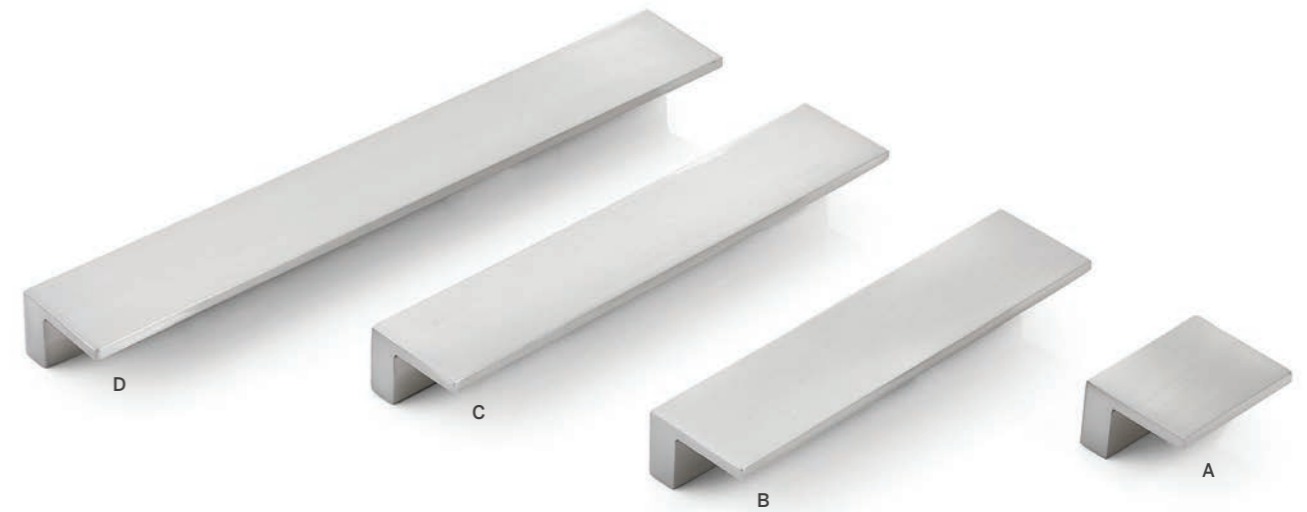
- Material: Zinc Alloy

	Part No.	Finish	HC	OA	W	P
A	M1256.32.CP	Chrome Plated	32	46	36	23
B	M1256.128.CP	Chrome Plated	128	142	36	23
C	M1256.160.CP	Chrome Plated	160	174	36	23
D	M1256.224.CP	Chrome Plated	224	238	36	23

HC = Hole centre OA = Overall length W = Width P = Projection

© Copyright 2015 All Rights Reserved. Specifications subject to change without notice.

MOMO HANDLES



Orlando - Brushed Nickel

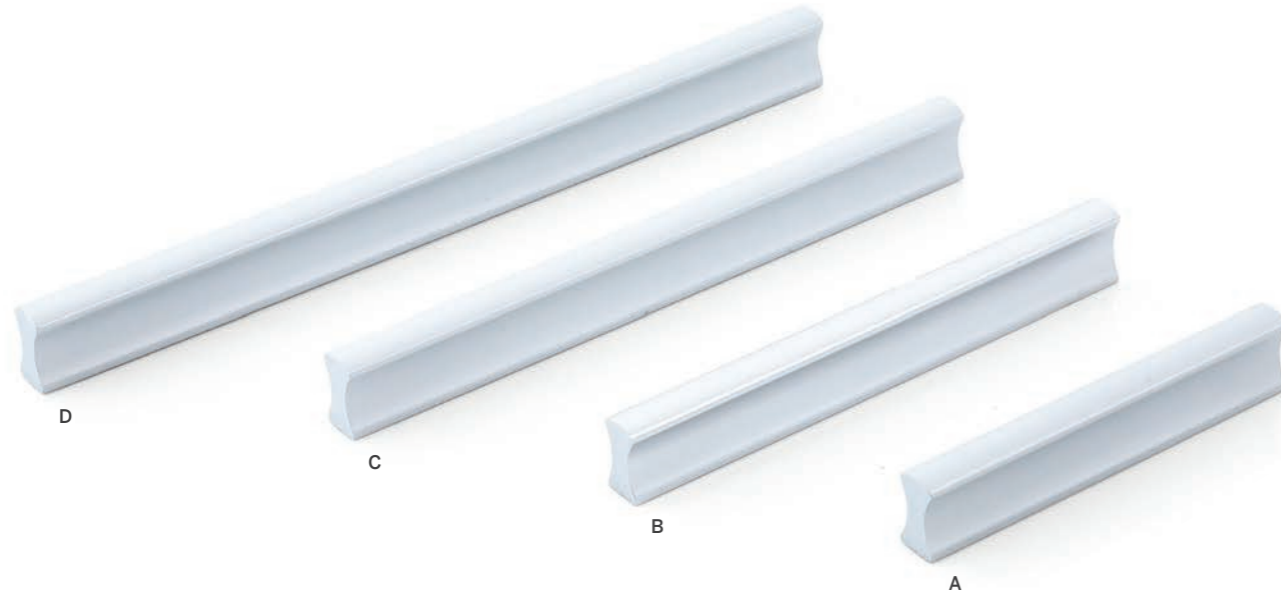
- Material: Zinc Alloy

	Part No.	Finish	HC	OA	W	P
A	M1256.32.BRN	Brushed Nickel	32	46	36	23
B	M1256.128.BRN	Brushed Nickel	128	142	36	23
C	M1256.160.BRN	Brushed Nickel	160	174	36	23
D	M1256.224.BRN	Brushed Nickel	224	238	36	23

HC = Hole centre OA = Overall length W = Width P = Projection

© Copyright 2015 All Rights Reserved. Specifications subject to change without notice.

MOMO HANDLES



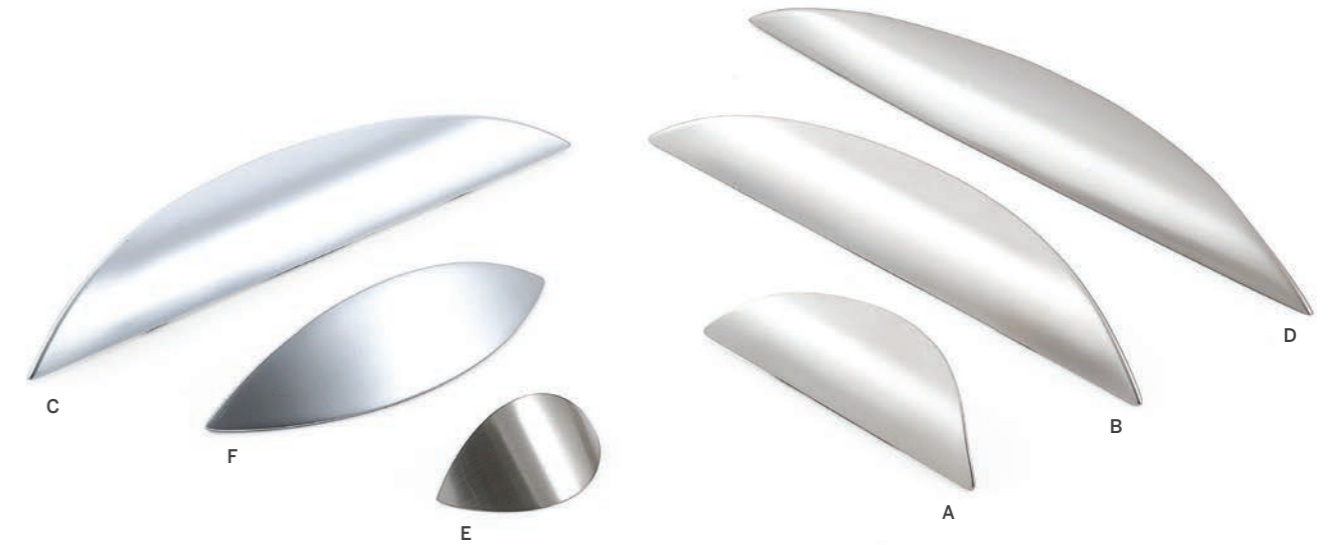
Latina

- Material: Aluminium

	Part No.	Finish	HC	OA	W	P
A	G2279.64.ALU	Aluminium	64	88	9	16
B	G2279.96.ALU	Aluminium	96	120	9	16
C	G2279.128.ALU	Aluminium	128	150	9	16
D	G2279.160.ALU	Aluminium	160	190	9	16

HC = Hole centre OA = Overall length W = Width P = Projection

MOMO HANDLES



Valetta, Roma & Leaf

- Material: Zinc Alloy

	Part No.	Finish	Range	OA	H	W	P
A	WPH32.SN	Satin Nickel	Valetta	32	88	24	17
B	WPH96.SN	Satin Nickel	Valetta	96	165	24	17
C	WPH96.SC	Satin Chrome	Valetta	96	165	24	17

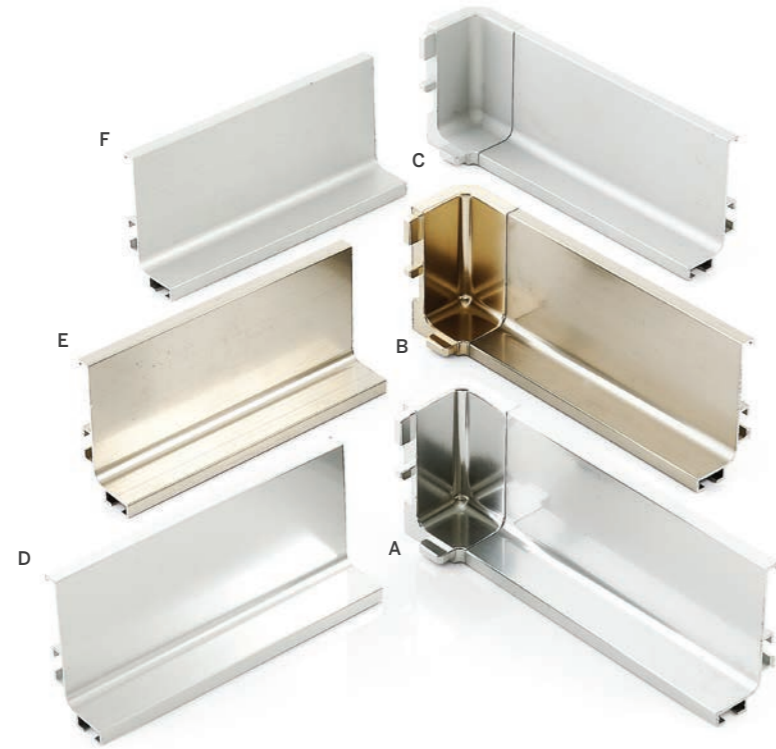
HC = Hole centre OA = Overall length W = Width P = Projection

	Part No.	Finish	Range	OA	H	W	P
D	WPH128.SN	Satin Nickel	Valetta	128	200	24	17
E	M21.32.BRN	Brushed Nickel	Roma	32	47	19	19
F	TWP64.SC	Satin Chrome	Leaf	64	103	21	21

© Copyright 2015 All Rights Reserved. Specifications subject to change without notice.

© Copyright 2015 All Rights Reserved. Specifications subject to change without notice.

MOMO
HANDLES



Vercelli Top Profile & Internal Corner

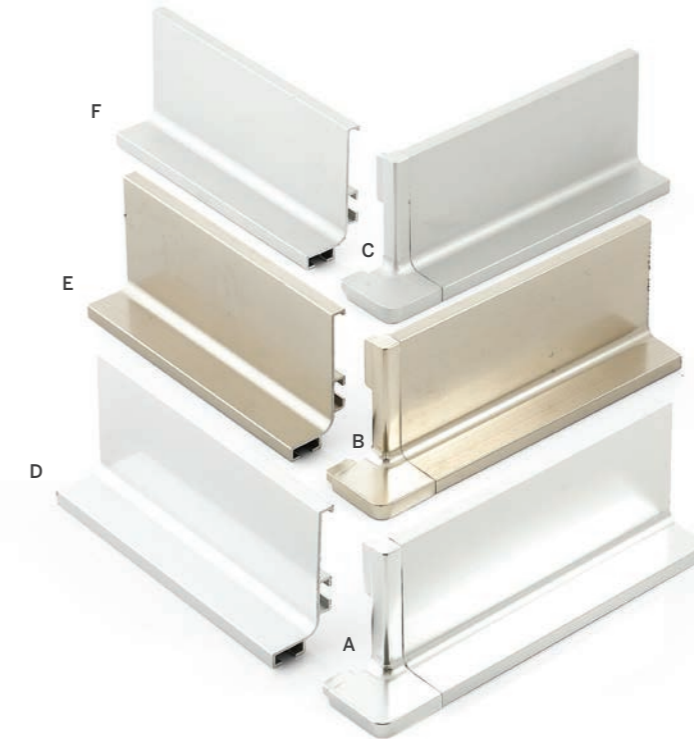
- Material: Aluminium

Part No.	Finish	OA	H	P	
A	GSZ80.901.PA	Polished Aluminium	-	57	25
B	GSZ80.901.BRN	Brushed Nickel	-	57	25
C	GSZ80.901.BA	Brushed Aluminium	-	57	25
D	GSZ80.012.21.PA	Polished Aluminium	2100	57	25
E	GSZ80.012.21.BRN	Brushed Nickel	2100	57	25

Part No.	Finish	OA	H	P	
F	GSZ80.012.21.BA	Brushed Aluminium	2100	57	25
♦	GSZ80.012.42.PA	Polished Aluminium	4200	57	25
♦	GSZ80.012.42.BRN	Brushed Nickel	4200	57	25
♦	GSZ80.012.42.BA	Brushed Aluminium	4200	57	25

♦ Not Pictured HC = Hole centre OA = Overall length W = Width P = Projection

MOMO
HANDLES



Vercelli Top Profile & External Corner

- Material: Aluminium

Part No.	Finish	OA	H	P	
A	GSZ80.90X.PA	Polished Aluminium	-	57	25
B	GSZ80.90X.BRN	Brushed Nickel	-	57	25
C	GSZ80.90X.BA	Brushed Aluminium	-	57	25
D	GSZ80.012.21.PA	Polished Aluminium	2100	57	25
E	GSZ80.012.21.BRN	Brushed Nickel	2100	57	25

Part No.	Finish	OA	H	P	
F	GSZ80.012.21.BA	Brushed Aluminium	2100	57	25
♦	GSZ80.012.42.PA	Polished Aluminium	4200	57	25
♦	GSZ80.012.42.BRN	Brushed Nickel	4200	57	25
♦	GSZ80.012.42.BA	Brushed Aluminium	4200	57	25

♦ Not Pictured HC = Hole centre OA = Overall length W = Width P = Projection

© Copyright 2015 All Rights Reserved. Specifications subject to change without notice.

© Copyright 2015 All Rights Reserved. Specifications subject to change without notice.

MOMO HANDLES



Vercelli Wall Cabinet Profile

- Material: Aluminium

Part No.	Finish	OA	H	P
A GSZ80.014.PA	Polished Aluminium	2100	18	28
B GSZ80.014.BRN	Brushed Nickel	2100	18	28
C GSZ80.014.BA	Brushed Aluminium	2100	18	28

OA = Overall length H = Height P = Projection

MOMO HANDLES



Vercelli Centre Profile

- Material: Aluminium

Part No.	Finish	OA	H	P
A GSZ80.013.21.PA	Polished Aluminium	2100	72	25
B GSZ80.013.21.BRN	Brushed Nickel	2100	72	25
C GSZ80.013.21.BA	Brushed Aluminium	2100	72	25

Part No.	Finish	OA	H	P
♦ GSZ80.013.42.PA	Polished Aluminium	4200	72	25
♦ GSZ80.013.42.BRN	Brushed Nickel	4200	72	25
♦ GSZ80.013.42.BA	Brushed Aluminium	4200	72	25

♦ Not Pictured HC = Hole centre OA = Overall length W = Width P = Projection

© Copyright 2015 All Rights Reserved. Specifications subject to change without notice.

© Copyright 2015 All Rights Reserved. Specifications subject to change without notice.

MOMO HANDLES



Ezi-Venice

- Material: Aluminium

Part No.	Finish	BT	H
A EV1018.ALU	Aluminium	16	31
• EV1173.ALU	Aluminium	18	31

• Not Pictured BT = Board Thickness H = Height

MOMO HANDLES



Ezi-Treviso

- Material: Aluminium

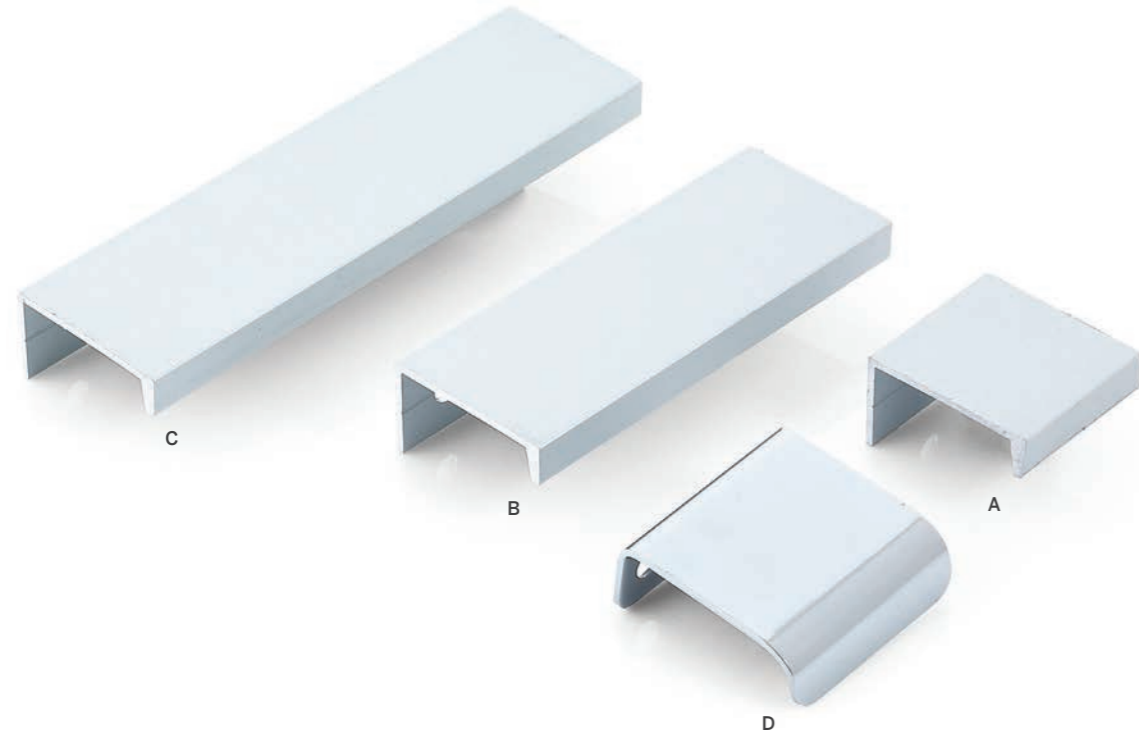
Part No.	Finish	BT	H
A ET1122.ALU	Aluminium	16	31
• ET1137.ALU	Aluminium	18	31

• Not Pictured BT = Board Thickness H = Height

© Copyright 2015 All Rights Reserved. Specifications subject to change without notice.

© Copyright 2015 All Rights Reserved. Specifications subject to change without notice.

MOMO HANDLES



Massa & Monaco

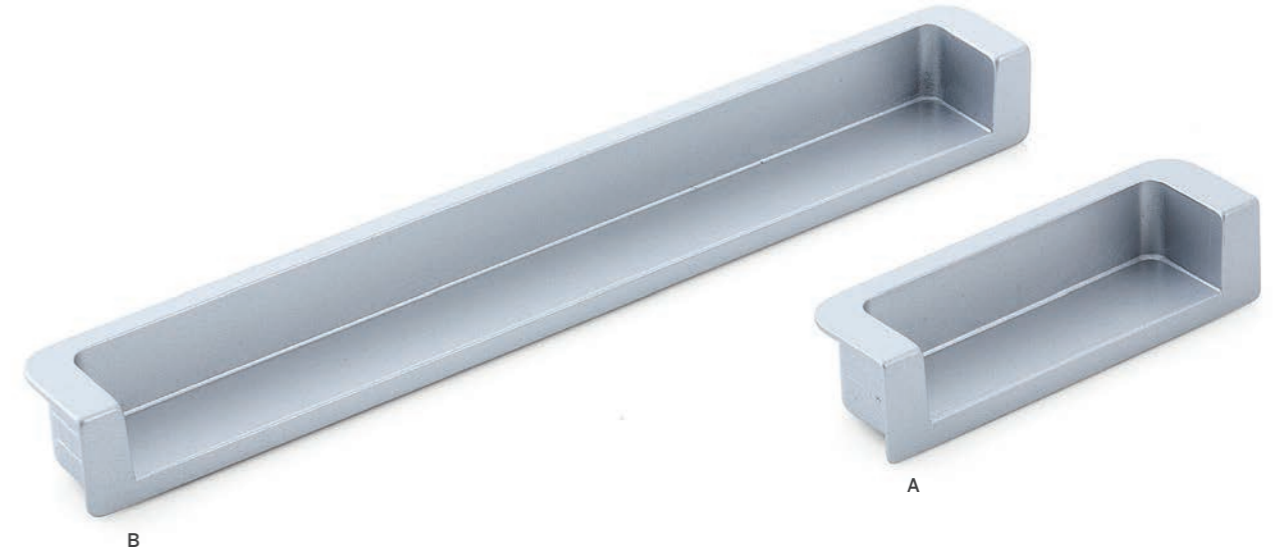
- Material: Monaco - Steel & Massa - Aluminium

Part No.	Finish	Range	HC	OA	H	P	
A	G6113.30.ALU	Aluminium	Massa	-	30	8	32
B	G6113.84.ALU	Aluminium	Massa	64	84	8	32
C	G6113.116.ALU	Aluminium	Massa	96	116	8	32

Part No.	Finish	Range	HC	OA	H	P	
• G6113.3M.ALU	Aluminium	Massa	-	3000	8	32	
D	MSH32.CP	Chrome Plated	Monaco	25	38	16	38

• Not Pictured HC = Hole centre OA = Overall length H = Height P = Projection

MOMO HANDLES



Corato

- Material: Aluminium

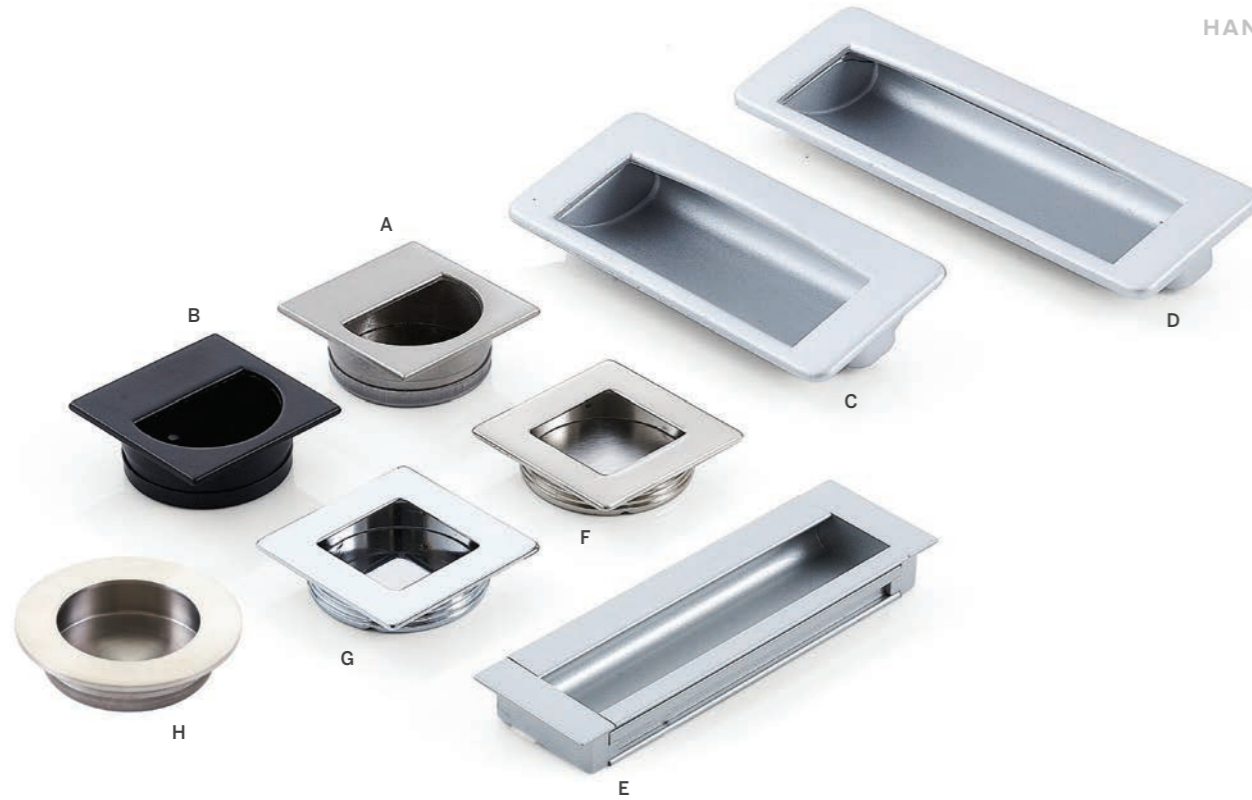
Part No.	Finish	OA	H	W	P	
A	G363C.73.MC	Matt Chrome	61	70	20	17
B	G363B.170.MC	Matt Chrome	160	169	20	17

HC = Hole centre OA = Overall length W = Width P = Projection

© Copyright 2015 All Rights Reserved. Specifications subject to change without notice.

© Copyright 2015 All Rights Reserved. Specifications subject to change without notice.

MOMO HANDLES



Benito, Sierra, Linz & Plaza

- Material: Zinc Alloy

Part No.	Finish	Range	MD	HC	OA	H	P	
A	FP3080.BRN	Brushed Nickel	Benito	15	-	45	45	1
B	FP3080.BL	Matt Black	Benito	15	-	45	45	1
C	D583.96.ALU	Aluminium	Sierra	15	96	111	49	5
D	D583.128.ALU	Aluminium	Sierra	15	128	143	49	5

Part No.	Finish	Range	MD	HC	OA	H	P	
E	FP30110.SLG	Silver Grey	Linz	11	96	110	34	1
F	FP4510.BRN	Brushed Nickel	Plaza	9	-	45	45	2
G	FP4510.CP	Chrome Plated	Plaza	9	-	45	45	2
H	RFP4050.SS	Stainless Steel	Lorca	11	-	51	51	2

MD = Mortice Depth HC = Hole centre OA = Overall length H = Height P = Projection

MOMO HANDLES



Jena & Mainz

- Material: Zinc Alloy

Part No.	Finish	Range	MD	HC	OA	W	P	
A	FPR75.SC	Satin Chrome	Mainz	6	102	126	34	2
B	FPR75.CP	Chrome Plated	Mainz	6	102	126	34	2
C	FP75.CP	Chrome Plated	Jena	11	102	114	34	2
D	FP75.SC	Satin Chrome	Jena	11	102	114	34	2

MD = Mortice Depth HC = Hole centre OA = Overall length W = Width P = Projection

© Copyright 2015 All Rights Reserved. Specifications subject to change without notice.

© Copyright 2015 All Rights Reserved. Specifications subject to change without notice.

MOMO HANDLES



Evora, Graz, Visby & Boras

- Material: Zinc Alloy

Part No.	Finish	Range	Ø	P	
A	HG16.BRN	Brushed Nickel	Visby	16	23
B	HG20.BRN	Brushed Nickel	Visby	20	27
C	DC1220.BRN	Brushed Nickel	Graz	20	25
D	DC1219.SN	Satin Nickel	Evora	19	20
E	DC1226.SN	Satin Nickel	Evora	26	27

Part No.	Finish	Range	Ø	P	
F	DC1219.BL	Black	Evora	19	20
G	DC1226.BL	Black	Evora	26	27
•	DC1219.SC	Satin Chrome	Evora	26	27
H	M750.MN	Matt Nickel	Boras	30 x 15	21

• Not Pictured Ø = Diameter P = Projection

© Copyright 2015 All Rights Reserved. Specifications subject to change without notice.

MOMO HANDLES



Asti

- Material: Zinc Alloy

Part No.	Finish	OA	W	P	
A	OKS.BRN	Brushed Nickel	30	19	32
B	OKL.BRN	Brushed Nickel	32	22	32
C	OKS.CP	Chrome Plated	30	19	32
D	OKL.CP	Chrome Plated	32	22	32

Part No.	Finish	OA	W	P	
E	OKS.SC	Satin Chrome	30	19	32
F	OKL.SC	Satin Chrome	32	22	32
•	OKS.BL	Matt Black	30	19	32

• Not Pictured OA = Overall length W = Width P = Projection

© Copyright 2015 All Rights Reserved. Specifications subject to change without notice.

MOMO HANDLES



Metz

- Material: Hollow Brass

Part No.	Finish	Ø	P
A 3130.CP	Chrome Plated	30	24
B 3130.SC	Satin Chrome	30	24

Ø = Diameter P = Projection

MOMO HANDLES



Lugo Brushed Nickel & Satin Chrome

- Material: Zinc Alloy

Part No.	Finish	Ø	P
A 3230.BRN	Brushed Nickel	30	27
B 3238.BRN	Brushed Nickel	38	31
C 3230.SC	Satin Chrome	30	27
D 3238.SC	Satin Chrome	38	31

Ø = Diameter P = Projection

© Copyright 2015 All Rights Reserved. Specifications subject to change without notice.

© Copyright 2015 All Rights Reserved. Specifications subject to change without notice.

MOMO HANDLES



Lugo Black Nickel & Chrome Plated

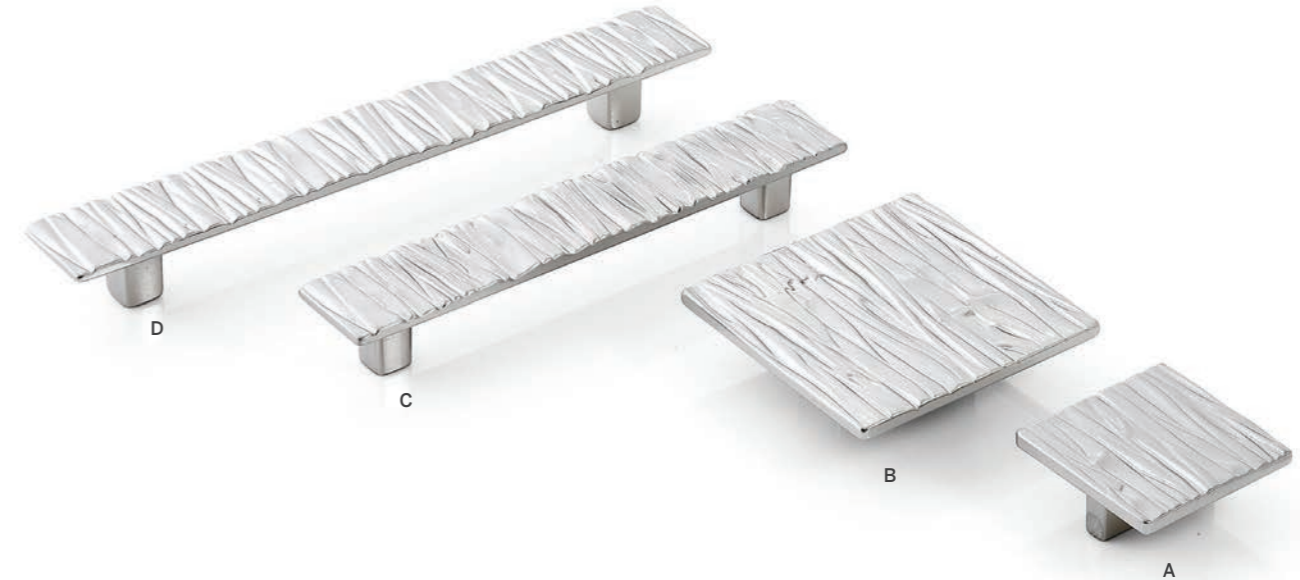
- Material: Zinc Alloy

	Part No.	Finish	Ø	P
A	3230.BN	Black Nickel	30	27
B	3238.BN	Black Nickel	38	31
C	3230.CP	Chrome Plated	30	27
D	3238.CP	Chrome Plated	38	31

Ø = Diameter P = Projection

© Copyright 2015 All Rights Reserved. Specifications subject to change without notice.

MOMO HANDLES



Cologne - Brushed Nickel

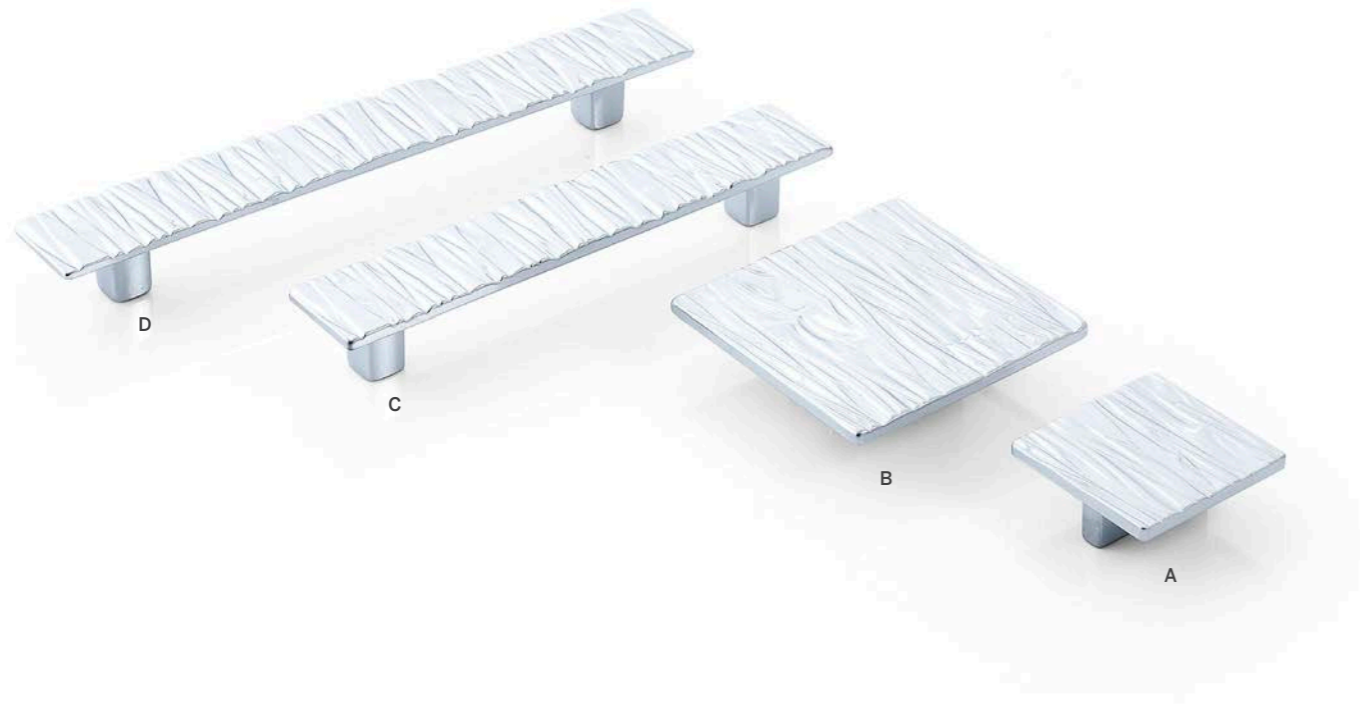
- Material: Zinc Alloy

	Part No.	Finish	HC	OA	W	P
A	T2041C.50.BRN	Brushed Nickel	32	50	50	22
B	T2041B.80.BRN	Brushed Nickel	32	80	80	22
C	T369C.128.BRN	Brushed Nickel	128	163	30	24
D	T369B.160.BRN	Brushed Nickel	160	210	30	24

HC = Hole centre OA = Overall length W = Width P = Projection

© Copyright 2015 All Rights Reserved. Specifications subject to change without notice.

MOMO HANDLES



Cologne - Chrome Plated

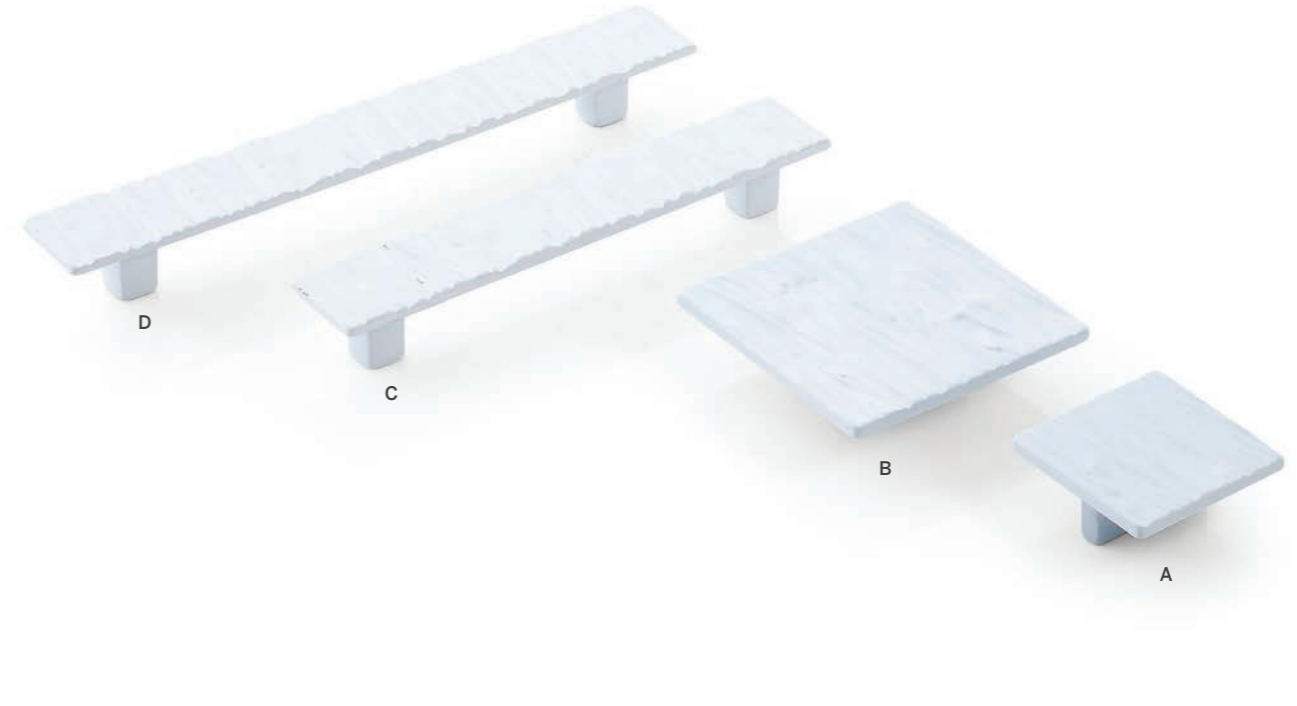
- Material: Zinc Alloy

	Part No.	Finish	HC	OA	W	P
A	T2041C.50.CP	Chrome Plated	32	50	50	22
B	T2041B.80.CP	Chrome Plated	32	80	80	22
C	T369C.128.CP	Chrome Plated	128	163	30	24
D	T369B.160.CP	Chrome Plated	160	210	30	24

HC = Hole centre OA = Overall length W = Width P = Projection

© Copyright 2015 All Rights Reserved. Specifications subject to change without notice.

MOMO HANDLES



Cologne - White

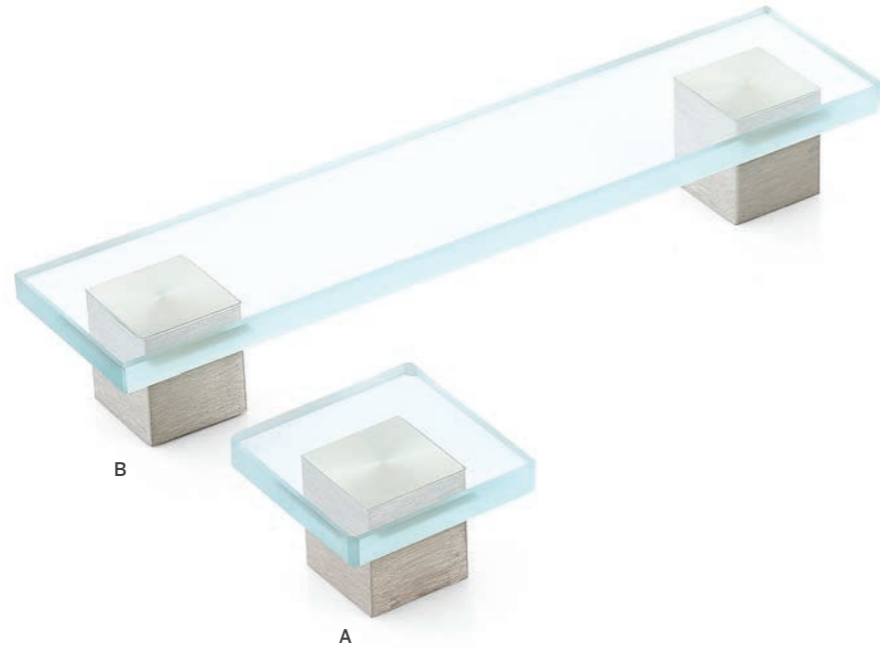
- Material: Zinc Alloy

	Part No.	Finish	HC	OA	W	P
A	T2041C.50.WH	White	32	50	50	22
B	T2041B.80.WH	White	32	80	80	22
C	T369C.128.WH	White	128	163	30	24
D	T369B.160.WH	White	160	210	30	24

HC = Hole centre OA = Overall length W = Width P = Projection

© Copyright 2015 All Rights Reserved. Specifications subject to change without notice.

MOMO HANDLES



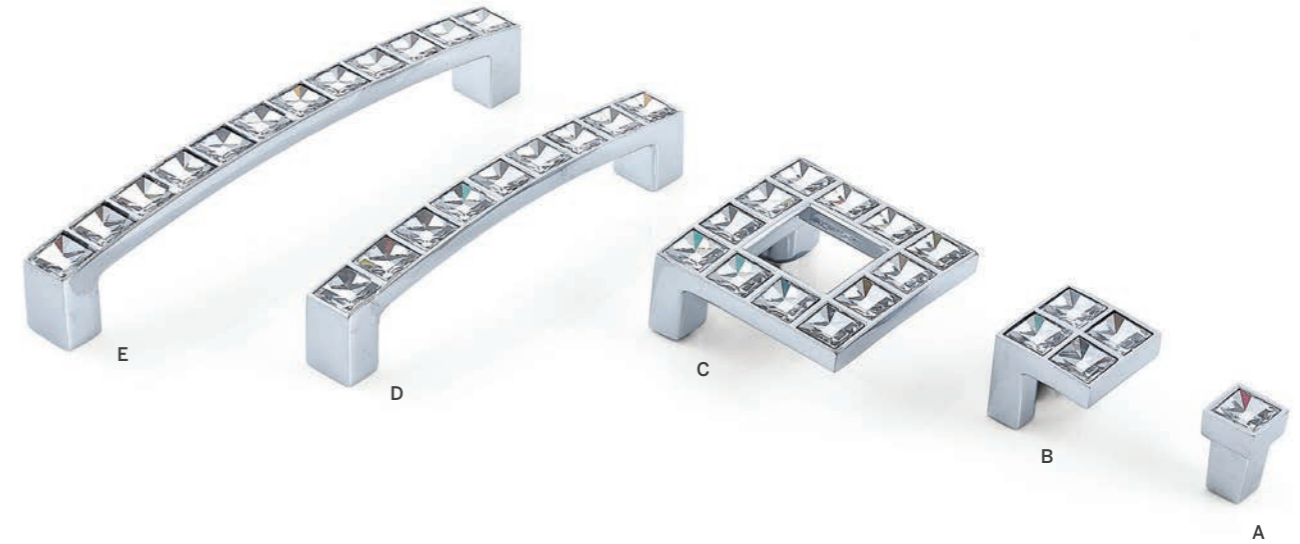
Verve

- Material: Glass & Aluminium

Part No.	Finish	HC	OA	W	P
A VSG48.48.GLDBR	Glass & Dull Brushed Nickel	-	48	48	32
B VSG48.160.GLDBR	Glass & Dull Brushed Nickel	160	207	48	32

HC = Hole centre OA = Overall length W = Width P = Projection

MOMO HANDLES



Mira

- Material: Crystal & Zinc Alloy

Part No.	Finish	HC	OA	W	P
A V550.000.CPCST	Polished Chrome & Crystal	-	13	13	20
B V550.016.CPCST	Polished Chrome & Crystal	16	25	25	22
C V550.032.CPCST	Polished Chrome & Crystal	32	48	48	22
D V550.096.CPCST	Polished Chrome & Crystal	96	107	13	24
E V550.128.CPCST	Polished Chrome & Crystal	128	140	13	24

HC = Hole centre OA = Overall length W = Width P = Projection

© Copyright 2015 All Rights Reserved. Specifications subject to change without notice.

© Copyright 2015 All Rights Reserved. Specifications subject to change without notice.

MOMO HANDLES



Murano

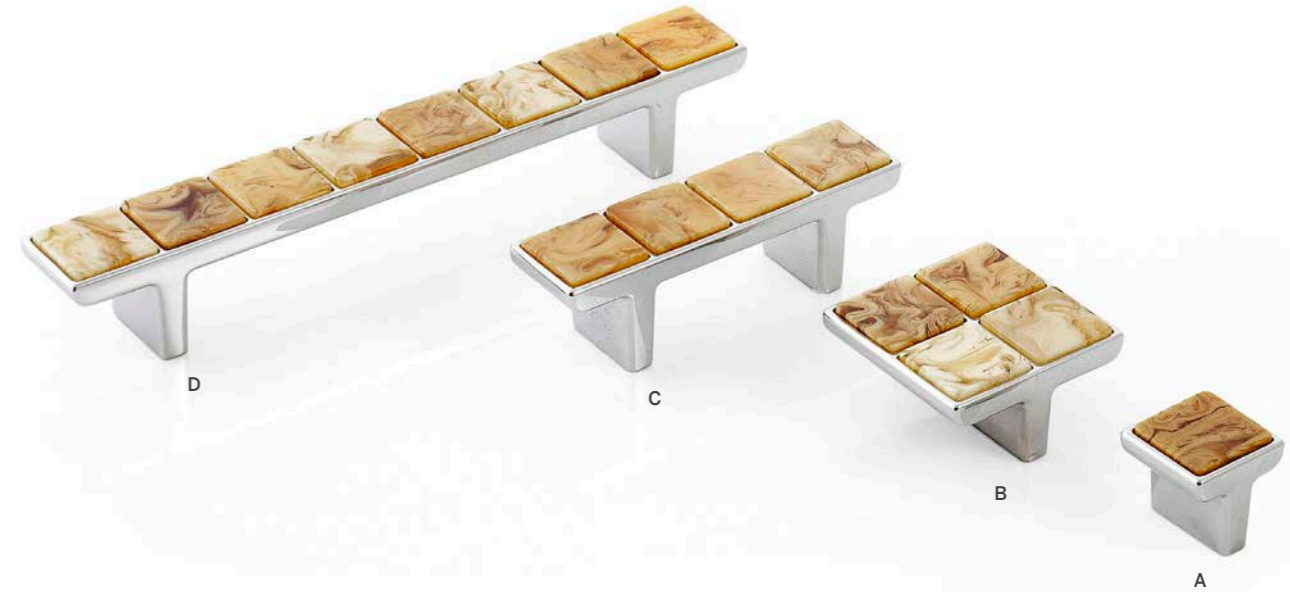
- Material: Genuine Crystallized Swarovski Elements & Zinc Alloy

Part No.	Finish	HC	OA	W	P	
A	GCSE30.NPCST	Nickel Plated & Crystal	-	30	30	29
B	GCSE57.NPCST	Nickel Plated & Crystal	32	57	57	29
C	GCSE64.NPCST	Nickel Plated & Crystal	64	111	30	34
D	GCSE160.NPCST	Nickel Plated & Crystal	160	219	30	34

HC = Hole centre OA = Overall length W = Width P = Projection

© Copyright 2015 All Rights Reserved. Specifications subject to change without notice.

MOMO HANDLES



Mayfair

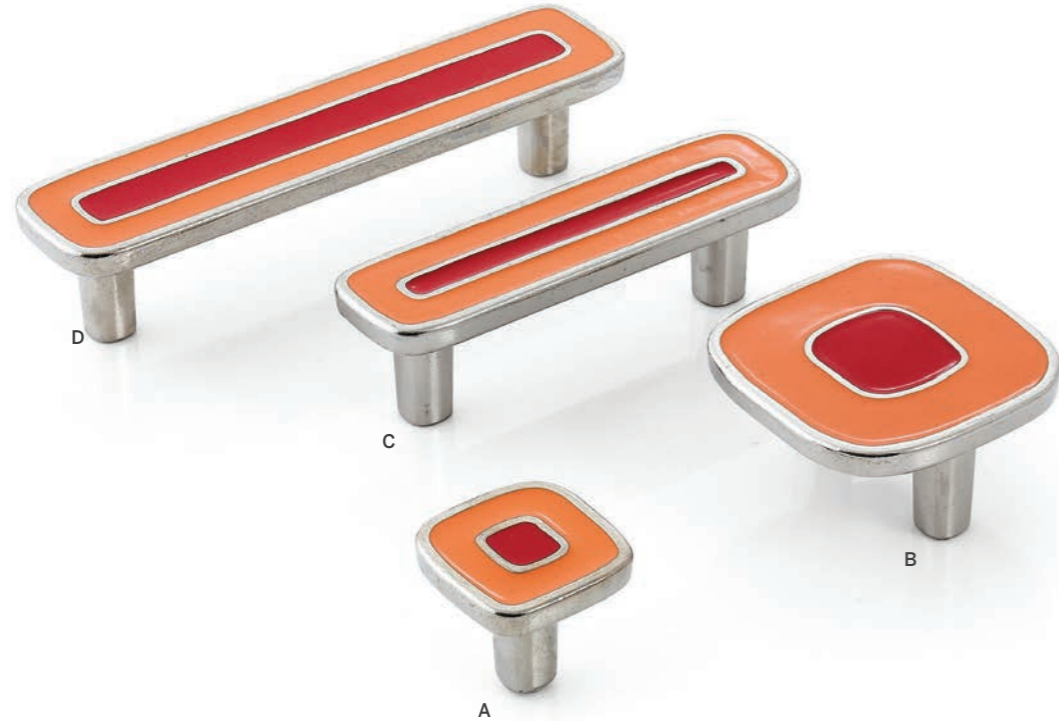
- Material: Genuine Amber & Zinc Alloy

Part No.	Finish	HC	OA	W	P	
A	GA30.NPAMB	Nickel Plated & Genuine Amber	-	30	30	29
B	GA57.NPAMB	Nickel Plated & Genuine Amber	32	57	57	29
C	GA64.NPAMB	Nickel Plated & Genuine Amber	64	111	30	34
D	GA160.NPAMB	Nickel Plated & Genuine Amber	160	219	30	34

HC = Hole centre OA = Overall length W = Width P = Projection

© Copyright 2015 All Rights Reserved. Specifications subject to change without notice.

MOMO HANDLES



Vivo - Nickel Plated, Red & Orange

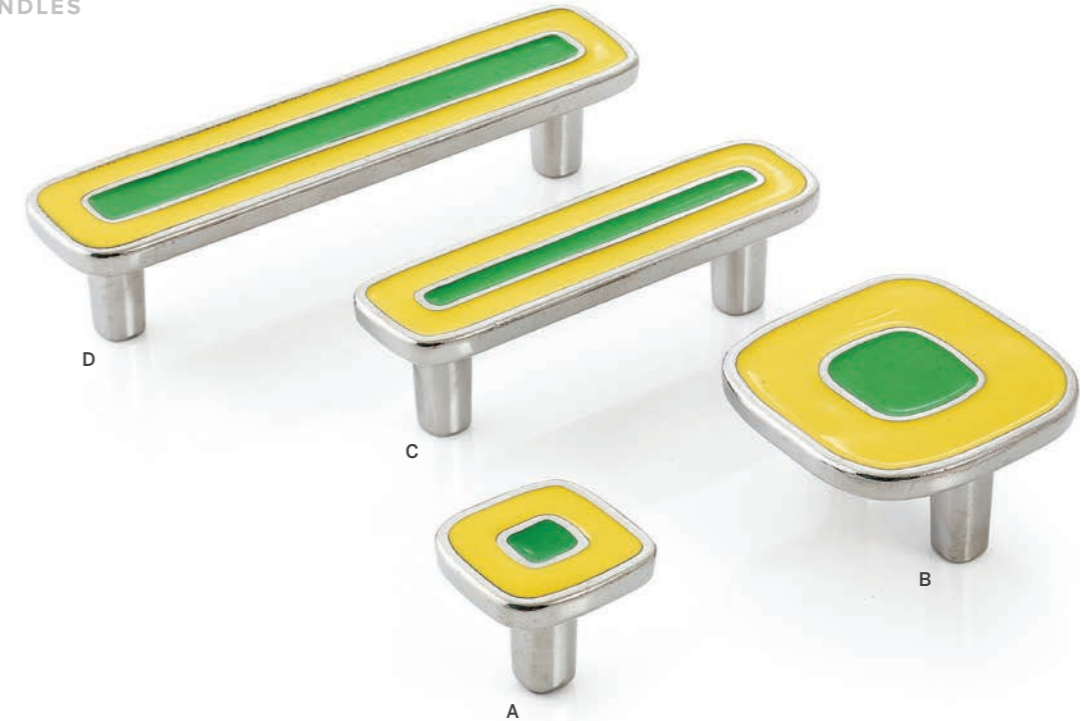
- Material: Zinc Alloy

Part No.	Finish	HC	OA	W	P	
A	JT30.NPRDOR	Nickel Plated, Red & Orange	-	30	30	27
B	JT52.NPRDOR	Nickel Plated, Red & Orange	32	52	52	27
C	JT64.NPRDOR	Nickel Plated, Red & Orange	64	90	26	27
D	JT96.NPRDOR	Nickel Plated, Red & Orange	96	122	30	27

HC = Hole centre OA = Overall length W = Width P = Projection

© Copyright 2015 All Rights Reserved. Specifications subject to change without notice.

MOMO HANDLES



Vivo - Nickel Plated, Yellow & Green

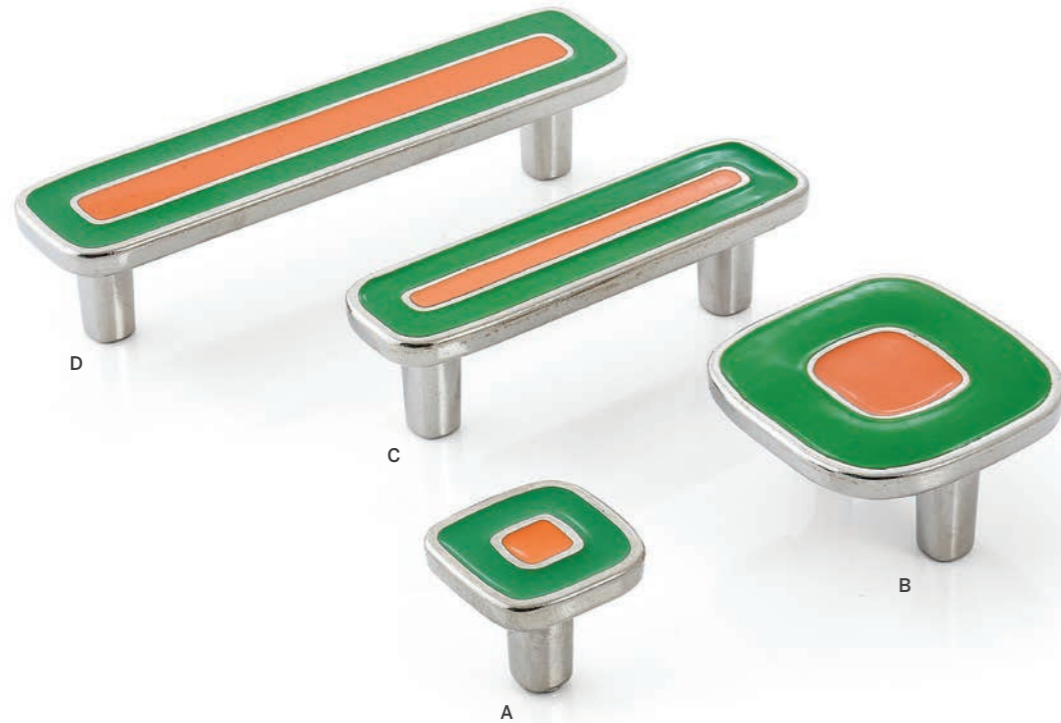
- Material: Zinc Alloy

Part No.	Finish	HC	OA	W	P	
A	JT30.NPYWGR	Nickel Plated, Yellow & Green	-	30	30	27
B	JT52.NPYWGR	Nickel Plated, Yellow & Green	32	52	52	27
C	JT64.NPYWGR	Nickel Plated, Yellow & Green	64	90	26	27
D	JT96.NPYWGR	Nickel Plated, Yellow & Green	96	122	30	27

HC = Hole centre OA = Overall length W = Width P = Projection

© Copyright 2015 All Rights Reserved. Specifications subject to change without notice.

MOMO HANDLES



Vivo - Nickel Plated, Green & Orange

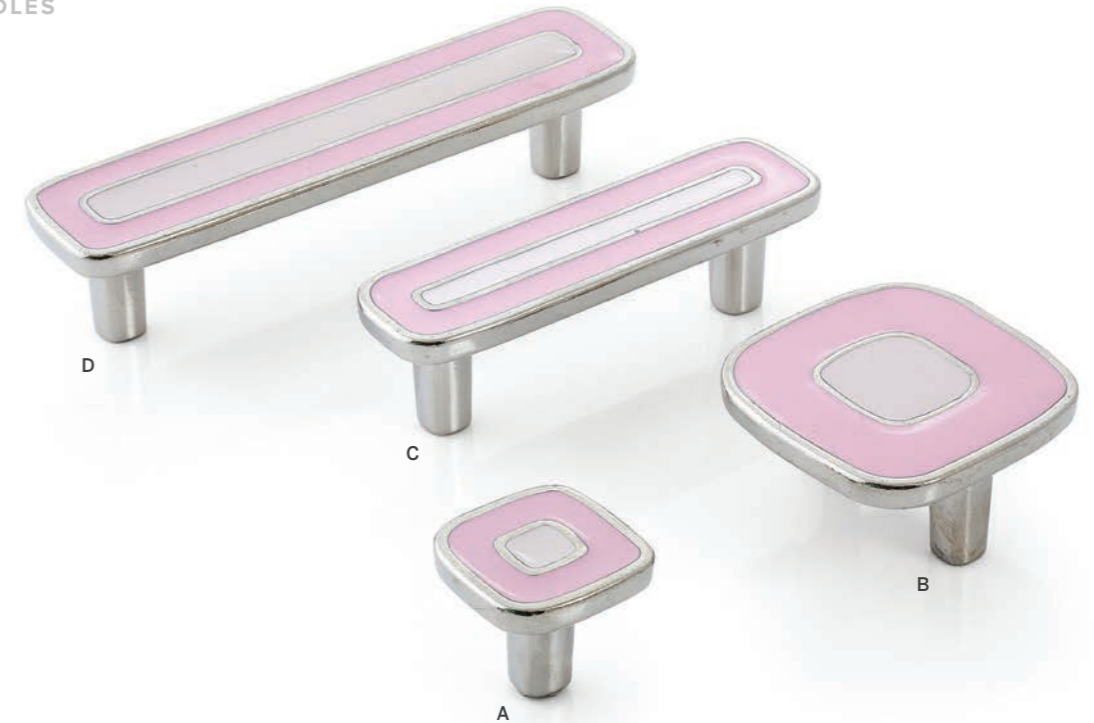
- Material: Zinc Alloy

Part No.	Finish	HC	OA	W	P
A	JT30.NPGROR Nickel Plated, Green & Orange	-	30	30	27
B	JT52.NPGROR Nickel Plated, Green & Orange	32	52	52	27
C	JT64.NPGROR Nickel Plated, Green & Orange	64	90	26	27
D	JT96.NPGROR Nickel Plated, Green & Orange	96	122	30	27

HC = Hole centre OA = Overall length W = Width P = Projection

© Copyright 2015 All Rights Reserved. Specifications subject to change without notice.

MOMO HANDLES



Vivo - Nickel Plated, Pink & Light Pink

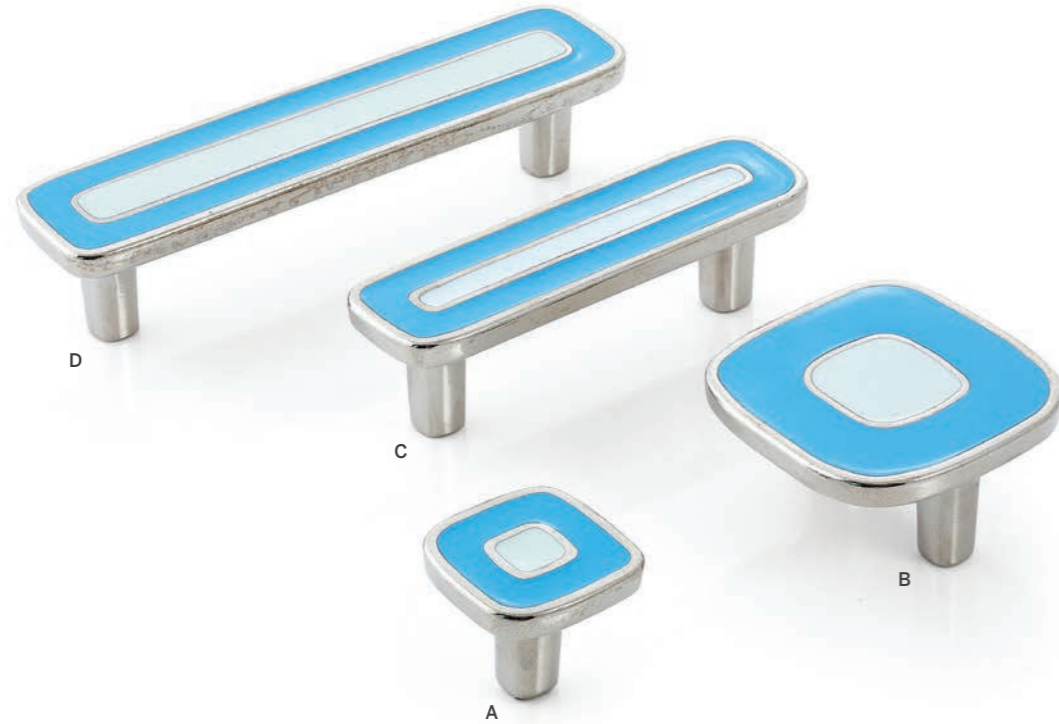
- Material: Zinc Alloy

Part No.	Finish	HC	OA	W	P
A	JT30.NPPKLPK Nickel Plated, Pink & Light Pink	-	30	30	27
B	JT52.NPPKLPK Nickel Plated, Pink & Light Pink	32	52	52	27
C	JT64.NPPKLPK Nickel Plated, Pink & Light Pink	64	90	26	27
D	JT96.NPPKLPK Nickel Plated, Pink & Light Pink	96	122	30	27

HC = Hole centre OA = Overall length W = Width P = Projection

© Copyright 2015 All Rights Reserved. Specifications subject to change without notice.

MOMO HANDLES



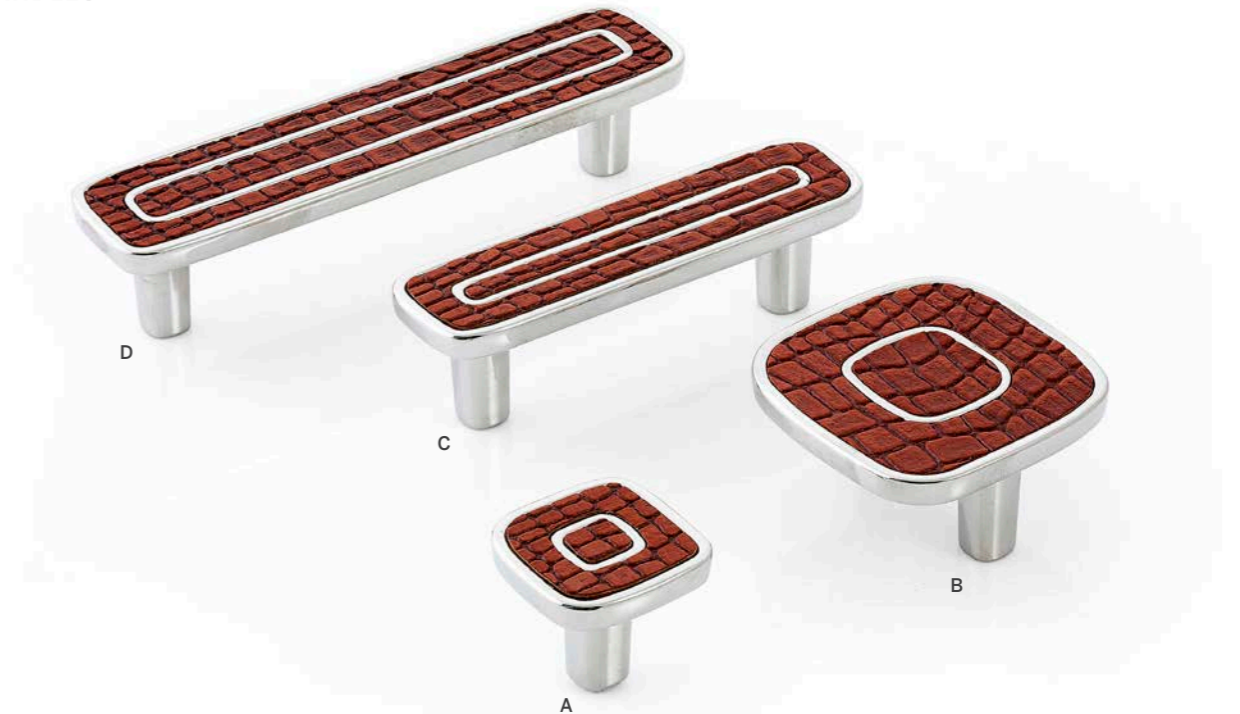
Vivo - Nickel Plated, Blue & Light Blue

- Material: Zinc Alloy

Part No.	Finish	HC	OA	W	P
A	JT30.NPBLBL Nickel Plated, Blue & Light Blue	-	30	30	27
B	JT52.NPBLBL Nickel Plated, Blue & Light Blue	32	52	52	27
C	JT64.NPBLBL Nickel Plated, Blue & Light Blue	64	90	26	27
D	JT96.NPBLBL Nickel Plated, Blue & Light Blue	96	122	30	27

HC = Hole centre OA = Overall length W = Width P = Projection

MOMO HANDLES



Vivo - Light Brown

- Material: Leather & Zinc Alloy

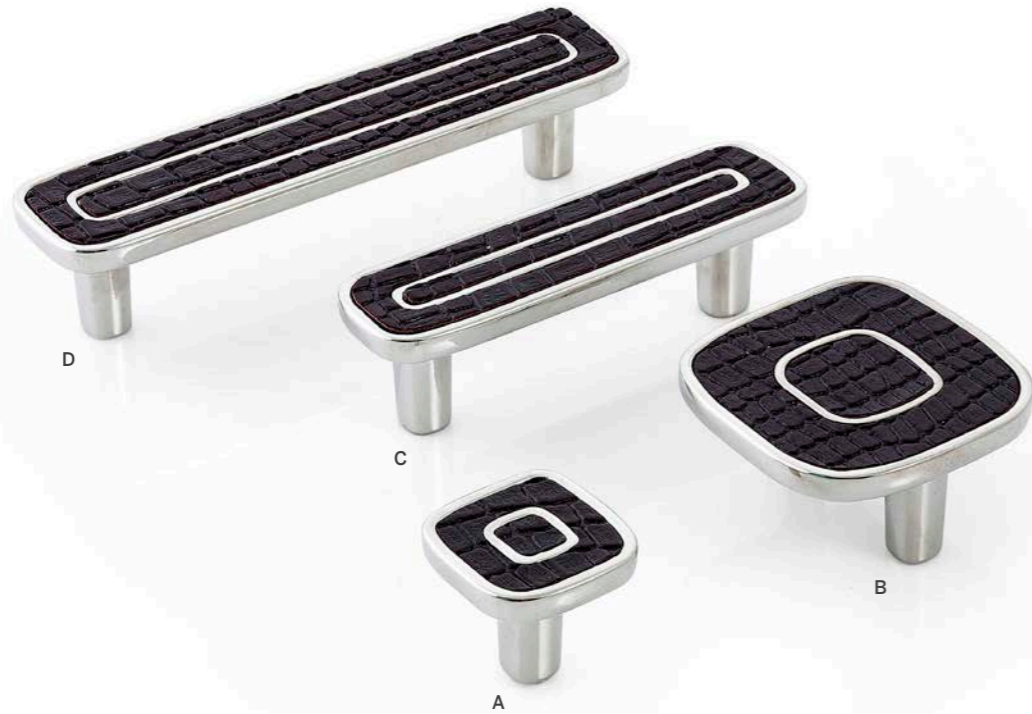
Part No.	Finish	HC	OA	W	P
A	JT30.NPLB Nickel Plated & Crocodile Déco Light	-	30	30	27
B	JT52.NPLB Nickel Plated & Crocodile Déco Light	32	52	52	27
C	JT64.NPLB Nickel Plated & Crocodile Déco Light	64	90	26	27
D	JT96.NPLB Nickel Plated & Crocodile Déco Light	96	122	30	27

HC = Hole centre OA = Overall length W = Width P = Projection

© Copyright 2015 All Rights Reserved. Specifications subject to change without notice.

© Copyright 2015 All Rights Reserved. Specifications subject to change without notice.

MOMO HANDLES



Vivo - Bordeaux

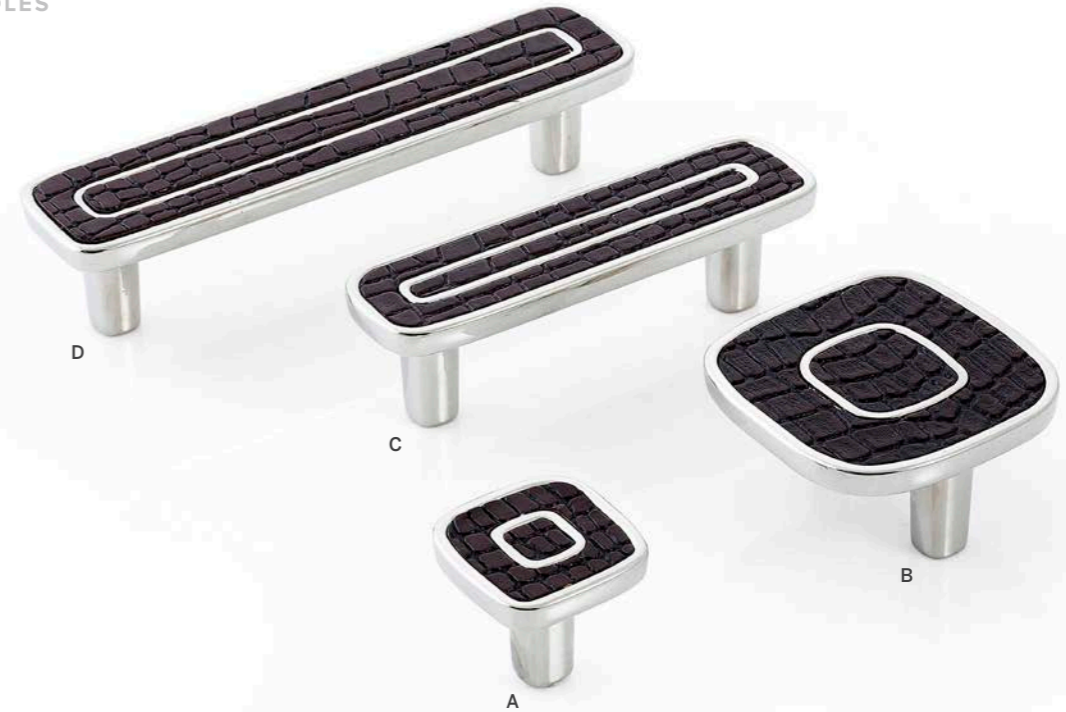
- Material: Leather & Zinc Alloy

Part No.	Finish	HC	OA	W	P
A JT30.NPBX	Nickel Plated & Crocodile Déco Bordeaux	-	30	30	27
B JT52.NPBX	Nickel Plated & Crocodile Déco Bordeaux	32	52	52	27
C JT64.NPBX	Nickel Plated & Crocodile Déco Bordeaux	64	90	26	27
D JT96.NPBX	Nickel Plated & Crocodile Déco Bordeaux	96	122	30	27

HC = Hole centre OA = Overall length W = Width P = Projection

© Copyright 2015 All Rights Reserved. Specifications subject to change without notice.

MOMO HANDLES



Vivo - Dark Brown

- Material: Leather & Zinc Alloy

Part No.	Finish	HC	OA	W	P
A JT30.NPDB	Nickel Plated & Crocodile Déco Dk Brown	-	30	30	27
B JT52.NPDB	Nickel Plated & Crocodile Déco Dk Brown	32	52	52	27
C JT64.NPDB	Nickel Plated & Crocodile Déco Dk Brown	64	90	26	27
D JT96.NPDB	Nickel Plated & Crocodile Déco Dk Brown	96	122	30	27

HC = Hole centre OA = Overall length W = Width P = Projection

© Copyright 2015 All Rights Reserved. Specifications subject to change without notice.

MOMO HANDLES



Vivo - Black

- Material: Leather & Zinc Alloy

Part No.	Finish	HC	OA	W	P	
A	JT30.NPBL	Nickel Plated & Crocodile Déco Black	-	30	30	27
B	JT52.NPBL	Nickel Plated & Crocodile Déco Black	32	52	52	27
C	JT64.NPBL	Nickel Plated & Crocodile Déco Black	64	90	26	27
D	JT96.NPBL	Nickel Plated & Crocodile Déco Black	96	122	30	27

HC = Hole centre OA = Overall length W = Width P = Projection

MOMO HANDLES



Vivo - White

- Material: Leather & Zinc Alloy

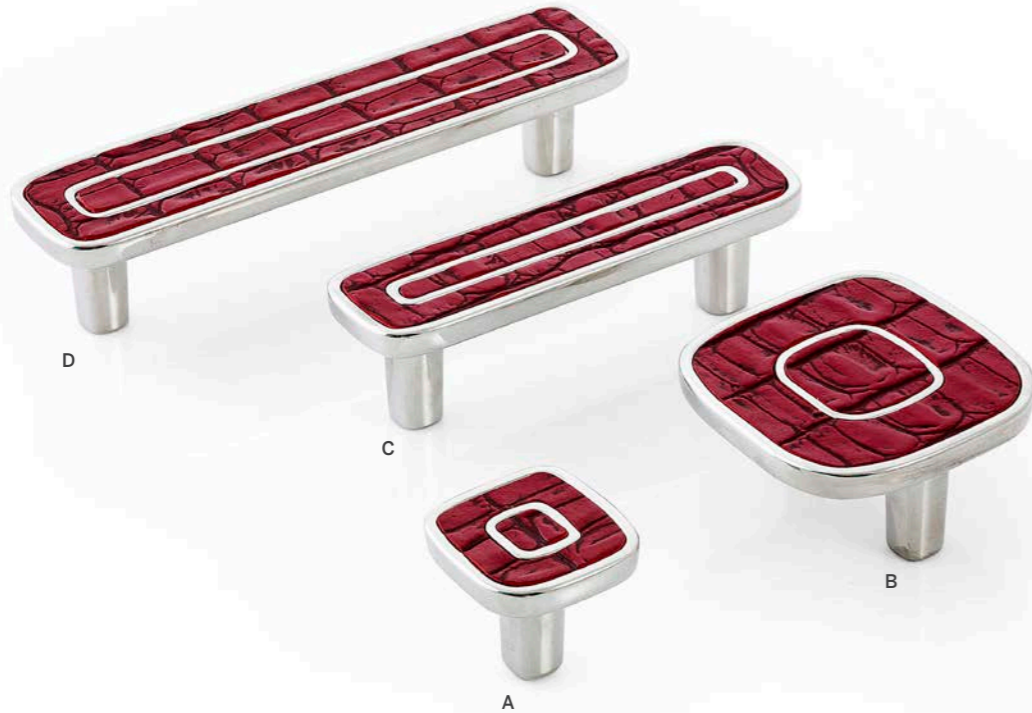
Part No.	Finish	HC	OA	W	P	
A	JT30.NPWH	Nickel Plated & Crocodile Déco Dk White	-	30	30	27
B	JT52.NPWH	Nickel Plated & Crocodile Déco Dk White	32	52	52	27
C	JT64.NPWH	Nickel Plated & Crocodile Déco Dk White	64	90	26	27
D	JT96.NPWH	Nickel Plated & Crocodile Déco Dk White	96	122	30	27

HC = Hole centre OA = Overall length W = Width P = Projection

© Copyright 2015 All Rights Reserved. Specifications subject to change without notice.

© Copyright 2015 All Rights Reserved. Specifications subject to change without notice.

MOMO HANDLES



Vivo - Purple

- Material: Leather & Zinc Alloy

Part No.	Finish	HC	OA	W	P
A JT30.NPPR	Nickel Plated & Crocodile Déco Purple	-	30	30	27
B JT52.NPPR	Nickel Plated & Crocodile Déco Purple	32	52	52	27
C JT64.NPPR	Nickel Plated & Crocodile Déco Purple	64	90	26	27
D JT96.NPPR	Nickel Plated & Crocodile Déco Purple	96	122	30	27

HC = Hole centre OA = Overall length W = Width P = Projection

MOMO HANDLES

Part No.	Range Name	Page	Part No.	Range Name	Page
A 3130.CP	Metz	82	B FDH128.DBR	Dallas - Dull Brushed Nickel	24
B 3130.SC	Metz	82	B FDH128.SC	Dallas - Satin Chrome	25
A 3230.BN	Lugo - Black Nickel	84	C FDH160.CP	Dallas - Chrome Plated	23
A 3230.BRN	Lugo - Brushed Nickel	83	C FDH160.DBR	Dallas - Dull Brushed Nickel	24
C 3230.CP	Lugo - Chrome Plated	84	C FDH160.SC	Dallas - Satin Chrome	25
C 3230.SC	Lugo - Satin Chrome	83	D FDH224.CP	Dallas - Chrome Plated	23
B 3238.BN	Lugo - Black Nickel	84	D FDH224.DBR	Dallas - Dull Brushed Nickel	24
B 3238.BRN	Lugo - Brushed Nickel	83	D FDH224.SC	Dallas - Satin Chrome	25
D 3238.CP	Lugo - Chrome Plated	84	E FDH288.CP	Dallas - Chrome Plated	23
D 3238.SC	Lugo - Satin Chrome	83	E FDH288.DBR	Dallas - Dull Brushed Nickel	24
B BRH96.BRN	Hudson	52	E FDH288.SC	Dallas - Satin Chrome	25
A BRH96.CP	Hudson	52	• FDH352.CP	Dallas - Chrome Plated	23
D D583.128.ALU	Sierra	78	• FDH352.DBR	Dallas - Dull Brushed Nickel	24
C D583.96.ALU	Sierra	78	• FDH352.SC	Dallas - Satin Chrome	25
F DC1219.BL	Evora	80	• FDH448.CP	Dallas - Chrome Plated	23
• DC1219.SC	Evora	80	• FDH448.DBR	Dallas - Dull Brushed Nickel	24
D DC1219.SN	Evora	80	• FDH448.SC	Dallas - Satin Chrome	25
C DC1220.BRN	Graz	80	A FDH96.CP	Dallas - Chrome Plated	23
G DC1226.BL	Evora	80	A FDH96.DBR	Dallas - Dull Brushed Nickel	24
E DC1226.SN	Evora	80	A FDH96.SC	Dallas - Satin Chrome	25
A ET1122.ALU	Ezi-Treviso	75	E FP30110.SLG	Linz	78
• ET1137.ALU	Ezi-Treviso	75	B FP3080.BL	Benito	78
A EV1018.ALU	Ezi-Venice	74	A FP3080.BRN	Benito	78
• EV1173.ALU	Ezi-Venice	74	F FP4510.BRN	Plaza	78
B FAH128.CP	Breda	47	G FP4510.CP	Plaza	78
E FAH128.SC	Breda	47	C FP75.CP	Jena	79
C FAH96.BRN	Breda	47	D FP75.SC	Jena	79
A FAH96.CP	Breda	47	B FPR75.CP	Mainz	79
D FAH96.SC	Breda	47	A FPR75.SC	Mainz	79
B FDH128.CP	Dallas - Chrome Plated	23	C G2279.128.ALU	Latina	68

© Copyright 2015 All Rights Reserved. Specifications subject to change without notice.

© Copyright 2015 All Rights Reserved. Specifications subject to change without notice.

MOMO HANDLES

Part No.	Range Name	Page	Part No.	Range Name	Page		
D	G2279.160.ALU	Latina	68	B	GSZ80.013.21.BRN	Vercelli Centre Profile	73
A	G2279.64.ALU	Latina	68	A	GSZ80.013.21.PA	Vercelli Centre Profile	73
B	G2279.96.ALU	Latina	68	•	GSZ80.013.42.BA	Vercelli Centre Profile	73
B	G363B.170.MC	Corato	77	•	GSZ80.013.42.BRN	Vercelli Centre Profile	73
A	G363C.73.MC	Corato	77	•	GSZ80.013.42.PA	Vercelli Centre Profile	73
C	G6113.116.ALU	Massa	76	C	GSZ80.014.BA	Vercelli Wall Cabinet Profile	72
A	G6113.30.ALU	Massa	76	B	GSZ80.014.BRN	Vercelli Wall Cabinet Profile	72
•	G6113.3M.ALU	Massa	76	A	GSZ80.014.PA	Vercelli Wall Cabinet Profile	72
B	G6113.84.ALU	Massa	76	C	GSZ80.901.BA	Vercelli - Top Profile & Internal Corner	70
D	GA160.NPAMB	Mayfair	91	B	GSZ80.901.BRN	Vercelli - Top Profile & Internal Corner	70
A	GA30.NPAMB	Mayfair	91	A	GSZ80.901.PA	Vercelli - Top Profile & Internal Corner	70
B	GA57.NPAMB	Mayfair	91	C	GSZ80.90X.BA	Vercelli - Top Profile & External Corner	71
C	GA64.NPAMB	Mayfair	91	B	GSZ80.90X.BRN	Vercelli - Top Profile & External Corner	71
D	GCSE160.NPCST	Murano	90	A	GSZ80.90X.PA	Vercelli - Top Profile & External Corner	71
A	GCSE30.NPCST	Murano	90	A	HG16.BRN	Visby	80
B	GCSE57.NPCST	Murano	90	B	HG20.BRN	Visby	80
C	GCSE64.NPCST	Murano	90	B	HPR128.SS	Larisa	36
F	GSZ80.012.21.BA	Vercelli - Top Profile & Internal Corner	70	C	HPR160.SS	Larisa	36
F	GSZ80.012.21.BA	Vercelli - Top Profile & External Corner	71	D	HPR224.SS	Larisa	36
E	GSZ80.012.21.BRN	Vercelli - Top Profile & Internal Corner	70	E	HPR288.SS	Larisa	36
E	GSZ80.012.21.BRN	Vercelli - Top Profile & External Corner	71	•	HPR416.SS	Larisa	36
D	GSZ80.012.21.PA	Vercelli - Top Profile & Internal Corner	70	•	HPR76.SS	Larisa	36
D	GSZ80.012.21.PA	Vercelli - Top Profile & External Corner	71	A	HPR96.SS	Larisa	36
•	GSZ80.012.42.BA	Vercelli - Top Profile & Internal Corner	70	A	JT30.NPBL	Vivo - Black	100
•	GSZ80.012.42.BA	Vercelli - Top Profile & External Corner	71	A	JT30.NPBLBL	Vivo - Nickel Plated, Blue & Light Blue	96
•	GSZ80.012.42.BRN	Vercelli - Top Profile & Internal Corner	70	A	JT30.NPBX	Vivo - Bordeaux	98
•	GSZ80.012.42.BRN	Vercelli - Top Profile & External Corner	71	A	JT30.NPDB	Vivo - Dark Brown	99
•	GSZ80.012.42.PA	Vercelli - Top Profile & Internal Corner	70	A	JT30.NPGROR	Vivo - Nickel Plated, Green & Orange	94
•	GSZ80.012.42.PA	Vercelli - Top Profile & External Corner	71	A	JT30.NPLB	Vivo - Light Brown	97
C	GSZ80.013.21.BA	Vercelli Centre Profile	73	A	JT30.NPPKLPK	Vivo - Nickel Plated, Pink & Light Pink	95

MOMO HANDLES

Part No.	Range Name	Page	Part No.	Range Name	Page		
A	JT30.NPPR	Vivo - Purple	102	D	JT96.NPGROR	Vivo - Nickel Plated, Green & Orange	94
A	JT30.NPRDOR	Vivo - Nickel Plated, Red & Orange	92	D	JT96.NPLB	Vivo - Light Brown	97
A	JT30.NPWH	Vivo - White	101	D	JT96.NPPKLPK	Vivo - Nickel Plated, Pink & Light Pink	95
A	JT30.NPYWGR	Vivo - Nickel Plated, Yellow & Green	93	D	JT96.NPPR	Vivo - Purple	102
B	JT52.NPBL	Vivo - Black	100	D	JT96.NPRDOR	Vivo - Nickel Plated, Red & Orange	92
B	JT52.NPBLBL	Vivo - Nickel Plated, Blue & Light Blue	96	D	JT96.NPWH	Vivo - White	101
B	JT52.NPBX	Vivo - Bordeaux	98	D	JT96.NPYWGR	Vivo - Nickel Plated, Yellow & Green	93
B	JT52.NPDB	Vivo - Dark Brown	99	A	K118.128.CP	Sydney	3
B	JT52.NPGROR	Vivo - Nickel Plated, Green & Orange	94	B	K118.192.CP	Sydney	3
B	JT52.NPLB	Vivo - Light Brown	97	C	K118.280.CP	Sydney	3
B	JT52.NPPKLPK	Vivo - Nickel Plated, Pink & Light Pink	95	D	K118.352.CP	Sydney	3
B	JT52.NPPR	Vivo - Purple	102	A	K175.188.PSS	Genova	6
B	JT52.NPRDOR	Vivo - Nickel Plated, Red & Orange	92	B	K175.288.PSS	Genova	6
B	JT52.NPWH	Vivo - White	101	C	K175.328.PSS	Genova	6
B	JT52.NPYWGR	Vivo - Nickel Plated, Yellow & Green	93	D	K175.352.PSS	Genova	6
C	JT64.NPBL	Vivo - Black	100	•	K175.428.PSS	Genova	6
C	JT64.NPBLBL	Vivo - Nickel Plated, Blue & Light Blue	96	•	K175.528.PSS	Genova	6
C	JT64.NPBX	Vivo - Bordeaux	98	A	K230.160.ABN	Trento	5
C	JT64.NPDB	Vivo - Dark Brown	99	B	K230.224.ABN	Trento	5
C	JT64.NPGROR	Vivo - Nickel Plated, Green & Orange	94	C	K230.352.ABN	Trento	5
C	JT64.NPLB	Vivo - Light Brown	97	D	K230.480.ABN	Trento	5
C	JT64.NPPKLPK	Vivo - Nickel Plated, Pink & Light Pink	95	A	K250.160.ABN	Kempton	4
C	JT64.NPPR	Vivo - Purple	102	B	K250.224.ABN	Kempton	4
C	JT64.NPRDOR	Vivo - Nickel Plated, Red & Orange	92	C	K250.352.ABN	Kempton	4
C	JT64.NPWH	Vivo - White	101	D	K250.480.ABN	Kempton	4
C	JT64.NPYWGR	Vivo - Nickel Plated, Yellow & Green	93	B	K3201.128.ABN	Sevilla - Aluminium Brushed Nickel	10
D	JT96.NPBL	Vivo - Black	100	B	K3201.128.ALU	Sevilla - Aluminium	9
D	JT96.NPBLBL	Vivo - Nickel Plated, Blue & Light Blue	96	B	K3201.128.CP	Sevilla - Chrome Plated	8
D	JT96.NPBX	Vivo - Bordeaux	98	C	K3201.160.ABN	Sevilla - Aluminium Brushed Nickel	10
D	JT96.NPDB	Vivo - Dark Brown	99	C	K3201.160.ALU	Sevilla - Aluminium	9

© Copyright 2015 All Rights Reserved. Specifications subject to change without notice.

© Copyright 2015 All Rights Reserved. Specifications subject to change without notice.

MOMO HANDLES

Part No.	Range Name	Page	Part No.	Range Name	Page
C K3201.160.CP	Sevilla - Chrome Plated	8	♦ K3203.736.ABN	Salerno	7
D K3201.192.ABN	Sevilla - Aluminium Brushed Nickel	10	D K352A.80.CP	Milazzo	61
D K3201.192.ALU	Sevilla - Aluminium	9	F K352A.80.SN	Milazzo	61
D K3201.192.CP	Sevilla - Chrome Plated	8	B K352A.80.WH	Milazzo	61
E K3201.224.ABN	Sevilla - Aluminium Brushed Nickel	10	C K352B.60.CP	Milazzo	61
E K3201.224.ALU	Sevilla - Aluminium	9	E K352B.60.SN	Milazzo	61
E K3201.224.CP	Sevilla - Chrome Plated	8	A K352B.60.WH	Milazzo	61
♦ K3201.256.ABN	Sevilla - Aluminium Brushed Nickel	10	A K353.32.CP	Cosenza - Chrome Plated	63
♦ K3201.256.ALU	Sevilla - Aluminium	9	A K353.32.SN	Cosenza - Satin Nickel	64
♦ K3201.256.CP	Sevilla - Chrome Plated	8	A K353.32.WH	Cosenza - White	62
♦ K3201.288.ABN	Sevilla - Aluminium Brushed Nickel	10	B K356.160.CP	Cosenza - Chrome Plated	63
♦ K3201.288.ALU	Sevilla - Aluminium	9	B K356.160.SN	Cosenza - Satin Nickel	64
♦ K3201.288.CP	Sevilla - Chrome Plated	8	B K356.160.WH	Cosenza - White	62
♦ K3201.320.ABN	Sevilla - Aluminium Brushed Nickel	10	A K721.128.ABN	Pelermo	14
♦ K3201.320.ALU	Sevilla - Aluminium	9	B K721.160.ABN	Pelermo	14
♦ K3201.320.CP	Sevilla - Chrome Plated	8	C K721.224.ABN	Pelermo	14
♦ K3201.416.ABN	Sevilla - Aluminium Brushed Nickel	10	D K721.288.ABN	Pelermo	14
♦ K3201.416.ALU	Sevilla - Aluminium	9	E K721.352.ABN	Pelermo	14
♦ K3201.416.CP	Sevilla - Chrome Plated	8	♦ K721.480.ABN	Pelermo	14
A K3201.96.ABN	Sevilla - Aluminium Brushed Nickel	10	♦ K721.608.ABN	Pelermo	14
A K3201.96.ALU	Sevilla - Aluminium	9	♦ K721.736.ABN	Pelermo	14
A K3201.96.CP	Sevilla - Chrome Plated	8	B KHD128.SS	Bergamo	31
A K3203.128.ABN	Salerno	7	♦ KHD160.SS	Bergamo	31
B K3203.160.ABN	Salerno	7	C KHD192.SS	Bergamo	31
C K3203.192.ABN	Salerno	7	♦ KHD224.SS	Bergamo	31
D K3203.224.ABN	Salerno	7	D KHD256.SS	Bergamo	31
E K3203.288.ABN	Salerno	7	E KHD288.SS	Bergamo	31
♦ K3203.320.ABN	Salerno	7	♦ KHD320.SS	Bergamo	31
♦ K3203.352.ABN	Salerno	7	♦ KHD352.SS	Bergamo	31
♦ K3203.480.ABN	Salerno	7	♦ KHD480.SS	Bergamo	31

© Copyright 2015 All Rights Reserved. Specifications subject to change without notice.

MOMO HANDLES

Part No.	Range Name	Page	Part No.	Range Name	Page
♦ KHD608.SS	Bergamo	31	C M2003.192.SS	Barletta	29
♦ KHD896.SS	Bergamo	31	♦ M2003.288.SS	Barletta	29
A KHD96.SS	Bergamo	31	♦ M2003.320.SS	Barletta	29
A KO187.128.SC	Cordoba	22	D M2003.384.SS	Barletta	29
B KO187.160.SC	Cordoba	22	E M2003.480.SS	Barletta	29
C KO187.224.SC	Cordoba	22	♦ M2003.640.SS	Barletta	29
B M1256.128.BRN	Orlando - Brushed Nickel	67	♦ M2003.768.SS	Barletta	29
B M1256.128.CP	Orlando - Chrome Plated	66	E M21.32.BRN	Roma	69
C M1256.160.BRN	Orlando - Brushed Nickel	67	B M3163.128.BL	Livorno - Matt Black	16
C M1256.160.CP	Orlando - Chrome Plated	66	B M3163.128.DBR	Livorno - Dull Brushed Nickel	15
D M1256.224.BRN	Orlando - Brushed Nickel	67	B M3163.128.SC	Livorno - Satin Chrome	17
D M1256.224.CP	Orlando - Chrome Plated	66	C M3163.160.BL	Livorno - Matt Black	16
A M1256.32.BRN	Orlando - Brushed Nickel	67	C M3163.160.DBR	Livorno - Dull Brushed Nickel	15
A M1256.32.CP	Orlando - Chrome Plated	66	C M3163.160.SC	Livorno - Satin Chrome	17
♦ M1295.128.BRN	Milano - Brushed Nickel	20	D M3163.192.BL	Livorno - Matt Black	16
♦ M1295.128.CP	Milano - Chrome Plated	21	D M3163.192.DBR	Livorno - Dull Brushed Nickel	15
A M1295.160.BRN	Milano - Brushed Nickel	20	D M3163.192.SC	Livorno - Satin Chrome	17
A M1295.160.CP	Milano - Chrome Plated	21	E M3163.256.BL	Livorno - Matt Black	16
B M1295.192.BRN	Milano - Brushed Nickel	20	E M3163.256.DBR	Livorno - Dull Brushed Nickel	15
B M1295.192.CP	Milano - Chrome Plated	21	E M3163.256.SC	Livorno - Satin Chrome	17
C M1295.320.BRN	Milano - Brushed Nickel	20	♦ M3163.320.BL	Livorno - Matt Black	16
C M1295.320.CP	Milano - Chrome Plated	21	♦ M3163.320.DBR	Livorno - Dull Brushed Nickel	15
A M1755.128.BRN	Torino - Brushed Nickel	19	♦ M3163.320.SC	Livorno - Satin Chrome	17
A M1755.128.CP	Torino - Chrome Plated	18	A M3163.96.BL	Livorno - Matt Black	16
B M1755.160.BRN	Torino - Brushed Nickel	19	A M3163.96.DBR	Livorno - Dull Brushed Nickel	15
B M1755.160.CP	Torino - Chrome Plated	18	A M3163.96.SC	Livorno - Satin Chrome	17
C M1755.224.BRN	Torino - Brushed Nickel	19	B M35.128.CP	Denver - Chrome Plated	12
C M1755.224.CP	Torino - Chrome Plated	18	B M35.128.DBR	Denver - Dull Brushed Nickel	13
A M2003.128.SS	Barletta	29	C M35.160.CP	Denver - Chrome Plated	12
B M2003.160.SS	Barletta	29	C M35.160.DBR	Denver - Dull Brushed Nickel	13

© Copyright 2015 All Rights Reserved. Specifications subject to change without notice.

MOMO HANDLES

Part No.	Range Name	Page	Part No.	Range Name	Page
D M35.224.CP	Denver - Chrome Plated	12	B MDH128.BRN	Baltimore - Brushed Nickel	34
D M35.224.DBR	Denver - Dull Brushed Nickel	13	B MDH128.CP	Baltimore - Chrome Plated	32
E M35.288.CP	Denver - Chrome Plated	12	B MDH128.SC	Baltimore - Satin Chrome	33
E M35.288.DBR	Denver - Dull Brushed Nickel	13	C MDH160.BRN	Baltimore - Brushed Nickel	34
• M35.352.CP	Denver - Chrome Plated	12	C MDH160.CP	Baltimore - Chrome Plated	32
• M35.352.DBR	Denver - Dull Brushed Nickel	13	C MDH160.SC	Baltimore - Satin Chrome	33
• M35.416.CP	Denver - Chrome Plated	12	D MDH288.BRN	Baltimore - Brushed Nickel	34
• M35.416.DBR	Denver - Dull Brushed Nickel	13	D MDH288.CP	Baltimore - Chrome Plated	32
• M35.544.CP	Denver - Chrome Plated	12	D MDH288.SC	Baltimore - Satin Chrome	33
• M35.544.DBR	Denver - Dull Brushed Nickel	13	A MDH96.BRN	Baltimore - Brushed Nickel	34
A M35.96.CP	Denver - Chrome Plated	12	A MDH96.CP	Baltimore - Chrome Plated	32
A M35.96.DBR	Denver - Dull Brushed Nickel	13	A MDH96.SC	Baltimore - Satin Chrome	33
B M367.128.BRN	Vigo	30	A MFBH160.ABN	Caserta - Aluminium Brushed Nickel	42
C M367.160.BRN	Vigo	30	A MFBH160.ABN	Caserta - Aluminium	43
D M367.224.BRN	Vigo	30	B MFBH192.ABN	Caserta - Aluminium Brushed Nickel	42
E M367.320.BRN	Vigo	30	B MFBH192.ABN	Caserta - Aluminium	43
A M367.96.BRN	Vigo	30	C MFBH224.ABN	Caserta - Aluminium Brushed Nickel	42
D M544.128.CP	Zurich	49	C MFBH224.ABN	Caserta - Aluminium	43
F M544.128.MC	Zurich	49	D MFBH288.ABN	Caserta - Aluminium Brushed Nickel	42
E M544.128.MN	Zurich	49	D MFBH288.ABN	Caserta - Aluminium	43
B M550.96.CP	Toulon	51	E MFBH352.ABN	Caserta - Aluminium Brushed Nickel	42
A M550.96.MN	Toulon	51	E MFBH352.ABN	Caserta - Aluminium	43
D M551.128.CP	Toulon	51	D MSH32.CP	Monaco	76
C M551.128.MN	Toulon	51	B OKL.BRN	Asti	81
A M588.128.MN	Venice	50	D OKL.CP	Asti	81
B M588.160.MN	Venice	50	F OKL.SC	Asti	81
A M744.CP	Zurich	49	• OKS.BL	Asti	81
C M744.MC	Zurich	49	A OKS.BRN	Asti	81
B M744.MN	Zurich	49	C OKS.CP	Asti	81
H M750.MN	Boras	80	E OKS.SC	Asti	81

© Copyright 2015 All Rights Reserved. Specifications subject to change without notice.

MOMO HANDLES

Part No.	Range Name	Page	Part No.	Range Name	Page
H RFP4050.SS	Lorca	78	A SRH128.BA	Ortona	28
B RH128.BRN	Kalmar - Brushed Nickel	38	B SRH160.BA	Ortona	28
B RH128.CP	Kalmar - Chrome Plated	37	• SRH256.BA	Ortona	28
B RH128.SC	Kalmar - Satin Chrome	39	C SRH288.BA	Ortona	28
C RH160.BRN	Kalmar - Brushed Nickel	38	D SRH320.BA	Ortona	28
C RH160.CP	Kalmar - Chrome Plated	37	• SRH416.BA	Ortona	28
C RH160.SC	Kalmar - Satin Chrome	39	• SRH544.BA	Ortona	28
D RH192.BRN	Kalmar - Brushed Nickel	38	A SSQ25.CP	Zafra	65
D RH192.CP	Kalmar - Chrome Plated	37	C SSQ25.DBR	Zafra	65
D RH192.SC	Kalmar - Satin Chrome	39	B SSQ25.SC	Zafra	65
E RH224.BRN	Kalmar - Brushed Nickel	38	D SSQ50.DBR	Zafra	65
E RH224.CP	Kalmar - Chrome Plated	37	E SSQ96.DBR	Zafra	65
E RH224.SC	Kalmar - Satin Chrome	39	B STRT128.BRN	Locarno - Brushed Nickel	56
• RH288.BRN	Kalmar - Brushed Nickel	38	B STRT128.CP	Locarno - Chrome Plated	59
• RH288.CP	Kalmar - Chrome Plated	37	B STRT128.SC	Locarno - Satin Chrome	57
• RH288.SC	Kalmar - Satin Chrome	39	B STRT128.SN	Locarno - Satin Nickel	58
• RH320.BRN	Kalmar - Brushed Nickel	38	C STRT160.CP	Locarno - Chrome Plated	59
• RH320.CP	Kalmar - Chrome Plated	37	C STRT160.SN	Locarno - Satin Nickel	58
• RH320.SC	Kalmar - Satin Chrome	39	D STRT192.CP	Locarno - Chrome Plated	59
• RH416.BRN	Kalmar - Brushed Nickel	38	D STRT192.SN	Locarno - Satin Nickel	58
• RH416.CP	Kalmar - Chrome Plated	37	E STRT224.CP	Locarno - Chrome Plated	59
• RH416.SC	Kalmar - Satin Chrome	39	• STRT256.CP	Locarno - Chrome Plated	59
A RH96.BRN	Kalmar - Brushed Nickel	38	• STRT288.CP	Locarno - Chrome Plated	59
A RH96.CP	Kalmar - Chrome Plated	37	C STRT96.BL	Locarno - Matt Black	56
A RH96.SC	Kalmar - Satin Chrome	39	A STRT96.BRN	Locarno - Brushed Nickel	56
B RHT128.SS	Morella	35	A STRT96.CP	Locarno - Chrome Plated	59
C RHT160.SS	Morella	35	A STRT96.SC	Locarno - Satin Chrome	57
A RHT96.SS	Morella	35	A STRT96.SN	Locarno - Satin Nickel	58
A SDH150.SS	Calais	26	B T2041B.80.BRN	Cologne - Brushed Nickel	85
B SDH300.SS	Calais	26	B T2041B.80.CP	Cologne - Chrome Plated	86

© Copyright 2015 All Rights Reserved. Specifications subject to change without notice.



Momo Handles
Traditional Collection

Have you seen the full Furnware Dorset Catalogue Library?

The Furnware Dorset collection of seven books showcases our comprehensive and stunning range of cabinet hardware, and is the perfect way to simplify the decisions that go into creating your perfect kitchen.

Incorporating beautiful imagery, along with detailed product descriptions and diagrams, the Furnware Dorset Collection is the perfect tool to assist you in the decision making process.

To order the current Furnware Dorset retail catalogue library, please email info@furnwardorset.com.au or call us on 1300 123 700



Kitchen Waste Solutions



Deluxe Kitchen Storage by Vauth-Sagel



Kitchen & Home Storage Solutions



Cabinet Lighting Solutions



Sinks & Tapware

© Copyright 2015 All Rights Reserved. Specifications subject to change without notice.

© Copyright 2015 All Rights Reserved. Specifications subject to change without notice.

Phone: 1300 123 700
Fax: 1300 123 750
Email: info@furnwardorset.com.au
Web: www.furnwardorset.com.au

www.furnwardorset.com.au

Area Offices

VIC, SA & TAS

Office & Distribution Centre:
143 Allingham St, Golden Square VIC 3555
(PO Box 2290, Bendigo MC, VIC 3554)

NSW, ACT, QLD, NT & WA

Office: 18 Burns Road, Heathcote NSW 2233
Distribution Centre: 1-5 Jessica Place, Prestons NSW 2170
(PO Box 250, Engadine NSW 2233)